

Pull handles

Item description/product images



Description

Material:

Glass-bead reinforced thermoplastic PA (polyamide) or fiberglass reinforced PP (polypropylene).

Version:

Black grey

Note:

The fastening hole is designed to accept the head of a cap or hexagon head screw or a hexagon nut.

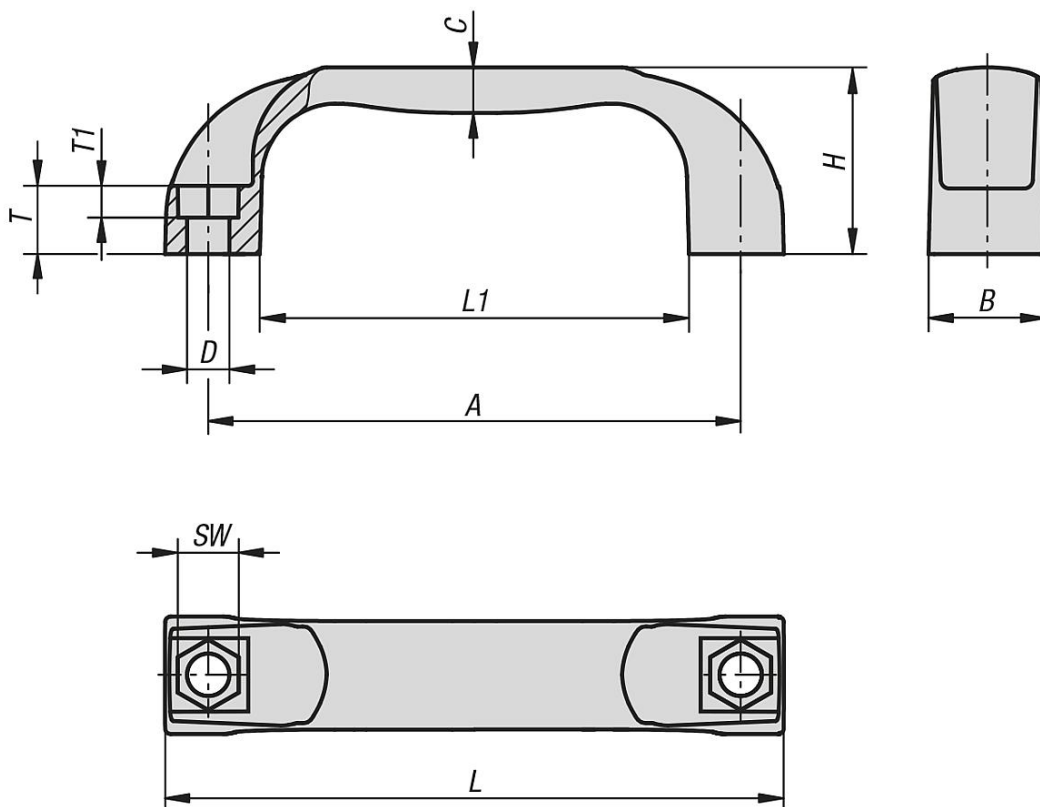
Assembly:

From the front or rear.

On request:

Other colours.

Drawings



Overview of items

Pull handles

Overview of items

Order No.	Main material	Main colour	A	B	C	D	H	L	L1	SW	T	T1	Load capacity N
K0190.109406	polyamide	black grey RAL 7021	94	21	8	6,6	36	109	76	10	13	6	1000
K0190.1094062	polyamide	orange RAL 2004	94	21	8	6,6	36	109	76	10	13	6	1000
K0190.10940616	polyamide	rape yellow RAL 1021	94	21	8	6,6	36	109	76	10	13	6	1000
K0190.10940684	polyamide	red RAL 3020	94	21	8	6,6	36	109	76	10	13	6	1000
K0190.10940686	polyamide	signal green RAL 6032	94	21	8	6,6	36	109	76	10	13	6	1000
K0190.10940687	polyamide	traffic blue RAL 5017	94	21	8	6,6	36	109	76	10	13	6	1000
K0190.10940688	polyamide	light grey RAL 7035	94	21	8	6,6	36	109	76	10	13	6	1000
K0190.111708	polyamide	black grey RAL 7021	117	26	10	9	41	136	94	13	15	8	1500
K0190.1117082	polyamide	orange RAL 2004	117	26	10	9	41	136	94	13	15	8	1500
K0190.11170816	polyamide	rape yellow RAL 1021	117	26	10	9	41	136	94	13	15	8	1500
K0190.11170884	polyamide	red RAL 3020	117	26	10	9	41	136	94	13	15	8	1500
K0190.11170886	polyamide	signal green RAL 6032	117	26	10	9	41	136	94	13	15	8	1500
K0190.11170887	polyamide	traffic blue RAL 5017	117	26	10	9	41	136	94	13	15	8	1500
K0190.11170888	polyamide	light grey RAL 7035	117	26	10	9	41	136	94	13	15	8	1500
K0190.113208	polyamide	black grey RAL 7021	132	27	11	9	44	154	112	13	16	8	1500
K0190.1132082	polyamide	orange RAL 2004	132	27	11	9	44	154	112	13	16	8	1500
K0190.11320816	polyamide	rape yellow RAL 1021	132	27	11	9	44	154	112	13	16	8	1500
K0190.11320884	polyamide	red RAL 3020	132	27	11	9	44	154	112	13	16	8	1500
K0190.11320886	polyamide	signal green RAL 6032	132	27	11	9	44	154	112	13	16	8	1500
K0190.11320887	polyamide	traffic blue RAL 5017	132	27	11	9	44	154	112	13	16	8	1500
K0190.11320888	polyamide	light grey RAL 7035	132	27	11	9	44	154	112	13	16	8	1500
K0190.115008	polyamide	black grey RAL 7021	150	27	11	9	44	172	132	13	16	8	1500
K0190.1150082	polyamide	orange RAL 2004	150	27	11	9	44	172	132	13	16	8	1500
K0190.11500816	polyamide	rape yellow RAL 1021	150	27	11	9	44	172	132	13	16	8	1500
K0190.11500884	polyamide	red RAL 3020	150	27	11	9	44	172	132	13	16	8	1500
K0190.11500886	polyamide	signal green RAL 6032	150	27	11	9	44	172	132	13	16	8	1500
K0190.11500887	polyamide	traffic blue RAL 5017	150	27	11	9	44	172	132	13	16	8	1500
K0190.11500888	polyamide	light grey RAL 7035	150	27	11	9	44	172	132	13	16	8	1500
K0190.117908	polyamide	black grey RAL 7021	179	28	11	9	50	197	156	13	17	8	1500
K0190.1179082	polyamide	orange RAL 2004	179	28	11	9	50	197	156	13	17	8	1500
K0190.11790816	polyamide	rape yellow RAL 1021	179	28	11	9	50	197	156	13	17	8	1500
K0190.11790884	polyamide	red RAL 3020	179	28	11	9	50	197	156	13	17	8	1500
K0190.11790886	polyamide	signal green RAL 6032	179	28	11	9	50	197	156	13	17	8	1500
K0190.11790887	polyamide	traffic blue RAL 5017	179	28	11	9	50	197	156	13	17	8	1500
K0190.11790888	polyamide	light grey RAL 7035	179	28	11	9	50	197	156	13	17	8	1500
K0190.209406	polypropylene	black grey	94	21	8	6,6	36	109	76	10	13	6	500
K0190.211708	polypropylene	black grey	117	26	10	9	41	136	94	13	15	8	800
K0190.213208	polypropylene	black grey	132	27	11	9	44	154	112	13	16	8	800
K0190.215008	polypropylene	black grey	150	27	11	9	44	172	132	13	16	8	800
K0190.217908	polypropylene	black grey	179	28	11	9	50	197	156	13	17	8	800