

Pull Handles thermoplast, metric

Item description/product images



Description

Material:

Thermoset PF 31, black.
bushing brass or electro zinc-plated steel.

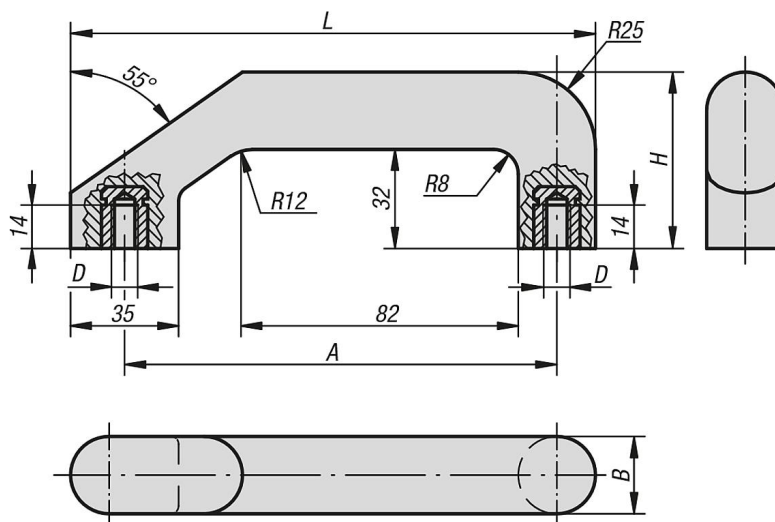
Version:

High-gloss polished.

Assembly:

From the rear.

Drawings



Pull handles

Item No.	Component material	A	B	D	H	L	Load capacity N
K0187.101	brass	140	25	M8	57	170	300
K0187.201	steel	140	25	M8	57	170	300

