

Pull Handles Thermoset

Item description/product images

METRIC
Parts



Description

Material:

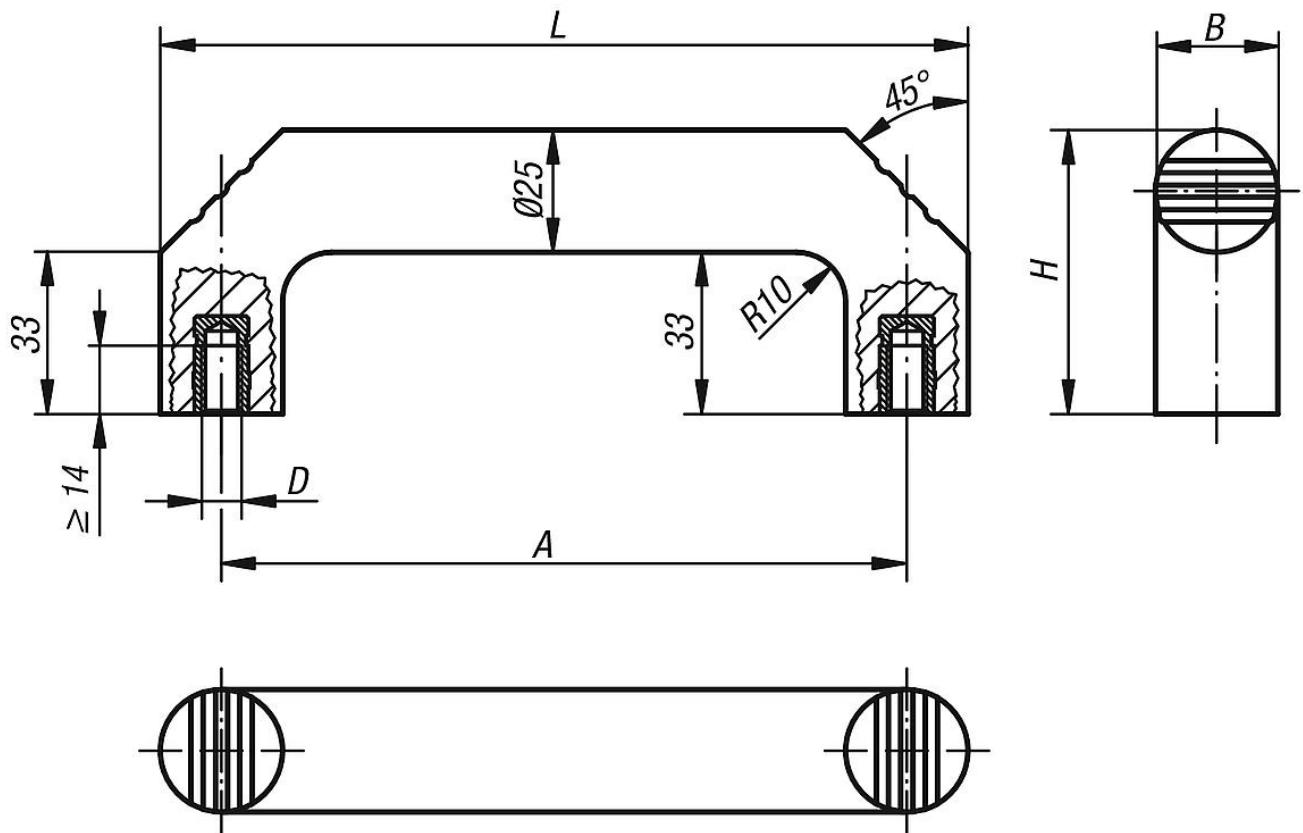
Thermoset PF 31, black.
bushing brass or electro zinc-plated steel.

Version:

High-gloss polished.

Pull Handles Thermoset

Drawings



Pull Handles, thermoset, metric

Item No.	Component material	A	B	D	H	L	Load capacity N
K0188.114008	brass	140	25	M8	58	165	500
K0188.214008	steel	140	25	M8	58	165	500