

Pull Handles thermoplastic

Item description/product images

METRIC
Parts



Description

Material:

Glass bead reinforced thermoplastic.

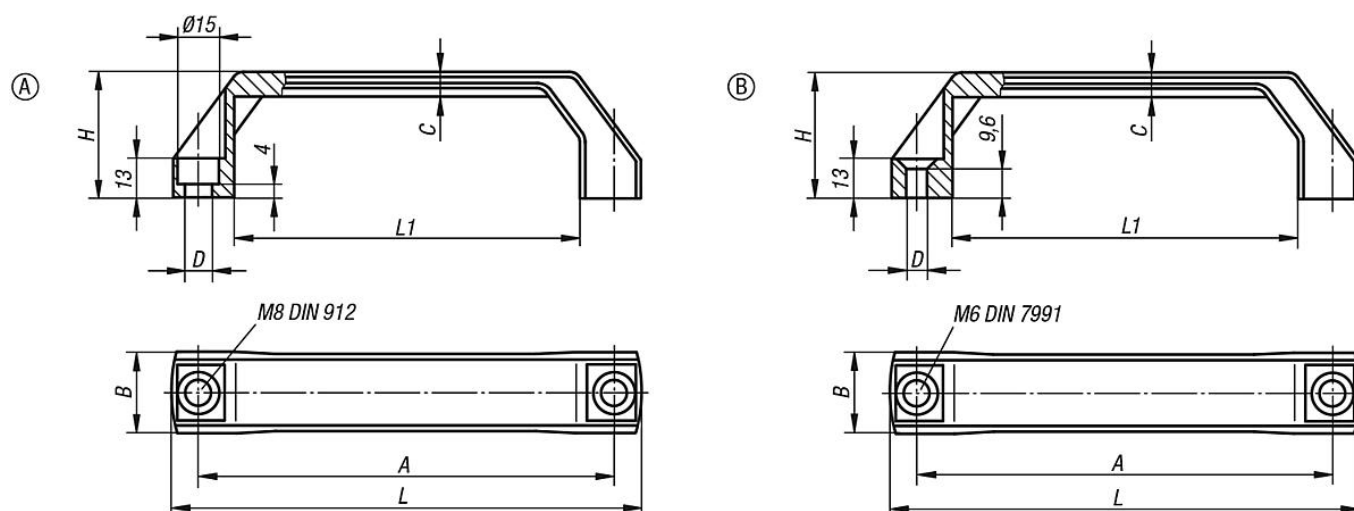
Version:

Black RAL 7021 or orange.

Note:

Dimension "A" applies after mounting. Before mounting it can be up to 2 mm smaller due to the release of the bending stress.

Drawings



Pull Handles thermoplastic, metric

Order No. black gray RAL 7021	Order No. orange	style	A	B	C	D	H	L	L1	Load capacity N
K0191.1120081	K0191.1120082	A	120	26	8	9	42	138	96	1000
K0191.1140081	K0191.1140082	A	140	26	8	9	42	158	116	1000
K0191.1160081	K0191.1160082	A	160	28	9	9	45	178	136	1000
K0191.2120061	K0191.2120062	B	120	26	8	6,6	42	138	96	1000
K0191.2140061	K0191.2140062	B	140	26	8	6,6	42	158	116	1000
K0191.2160061	K0191.2160062	B	160	28	9	6,6	45	178	136	1000