

## Pull handles

### Item description/product images

---



### Description

**Material:**

Glass-bead reinforced thermoplastic.

**Version:**

matt black.

**Note:**

Ergonomic and functional pull handles with temperature resistance of -50 °C to +130 °C.

Supplied with DIN 912 socket head screws, DIN 934 nuts and DIN 125 electro zinc-plated washers as well as caps for style B.  
style A are supplied without caps.

**Assembly:**

From the front.

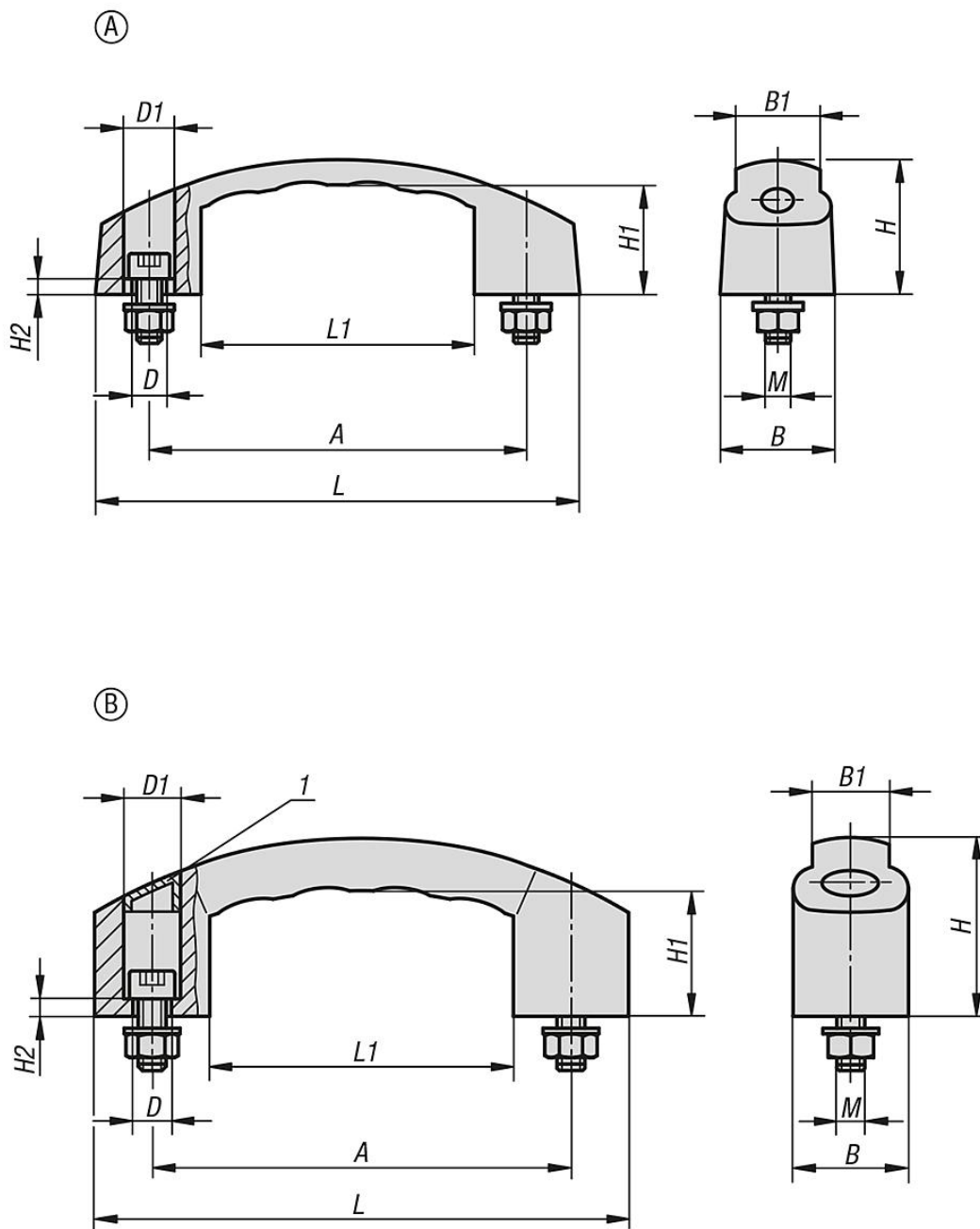
**Drawing reference:**

Style A: without cover cap

Style B: with cover cap

1) cover cap

Drawings



Pull handles

Item No.	Style	Version	A	B	B1	D	D1	H	H1	H2	L	L1	M	Load capacity N
K0192.110006	A	without cover cap	100	27	22	7	11	38	29	5	130	79	M6x25	600
K0192.112006	A	without cover cap	120	29	23	7	11	38	29	8	150	91	M6x25	600
K0192.212008	B	with cover cap	120	33	22	9	14	51	36	5	153	87	M8x30	1000
K0192.214008	B	with cover cap	140	38	26	9,5	15	59	42	6	178	101	M8x30	1000

