

**Pull Handles thermoplast, metric**

Item description/product images



**Description**

**Material:**

Profile aluminum EN AW-6060

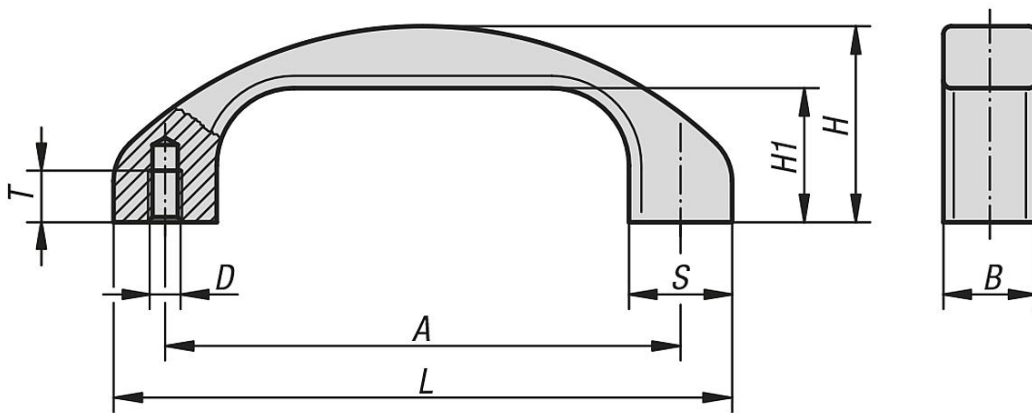
**Version:**

High quality anodized version, glass-bead blasted, semi-gloss finish.

**Assembly:**

From the rear.

Drawings



**Pull handles**

Item No.	Main color	A	B	D	H	H1	L	S	T	Load capacity N
K0195.120061	black anodized	120	22	M6	46	31	144	24	12	1000
K0195.140081	black anodized	140	25	M8	53	36	168	28	15	1000
K0195.120063	natural anodized	120	22	M6	46	31	144	24	12	1000
K0195.140083	natural anodized	140	25	M8	53	36	168	28	15	1000