

Pull handles arch

Item description/product images



Description

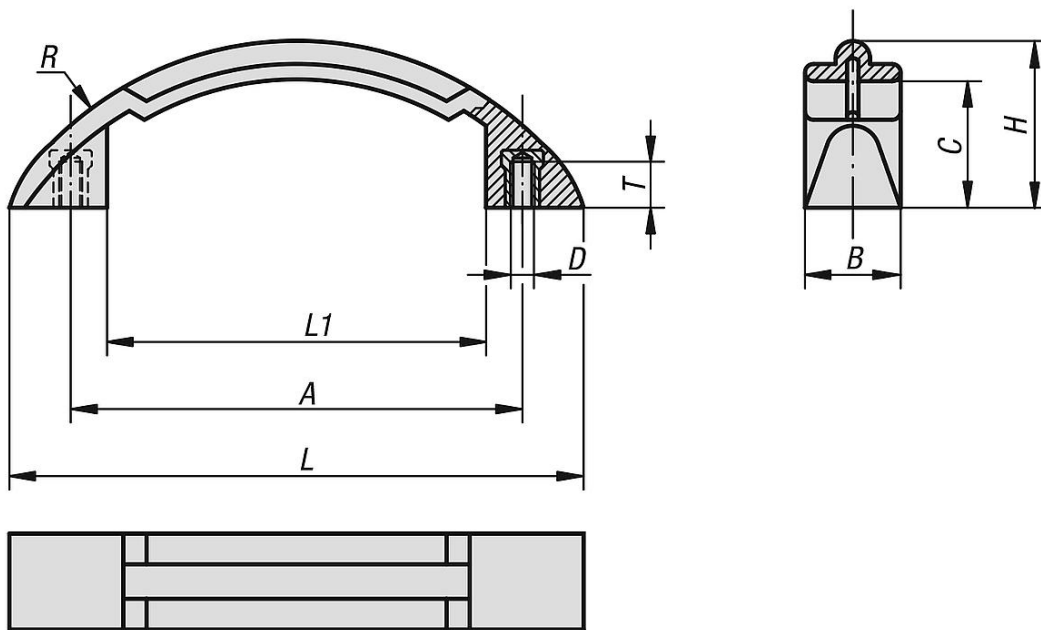
Material, version:

Thermoplastic, black gray.

Bushing electro zinc-plated steel.



Drawings



Pull handles arch

Item No.	A	B	C	D	H	L	L1	R	T	Load capacity N
K0196.11906	119	25	33	M6	43,5	150	98	94	10	1000