

Pull handles oblique

Item description/product images



Description

Material:

Grip glass-bead reinforced thermoplastic.
bushinging brass.

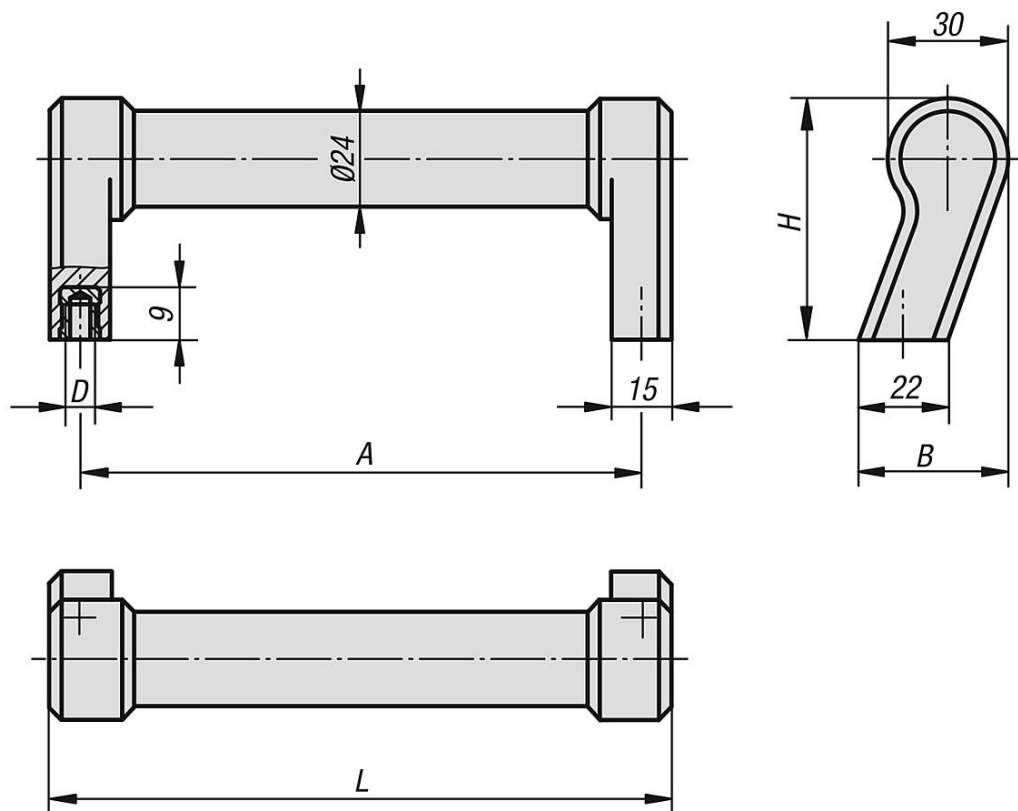
Version:

Dark gray or light gray

Note:

Oblique, robust polyamide handle. Tube and legs style one unit. The oblique contact faces allow mounting under cramped conditions e.g. in corners.

Drawings



Pull handles, oblique

Item No.	Main color	A	B	D	H	L	Load capacity N
K0197.140061	black gray RAL 7021	140	37	M6	60	155	1000
K0197.140062	light gray RAL 7035	140	37	M6	60	155	1000

