

# Pull Handles stainless steel

## Item description/product images



### Description

**Material:**

Investment cast stainless steel 1.4308 (AISI "316" equivalent).  
Fasteners stainless steel 1.4301 (AISI 304 equivalent).

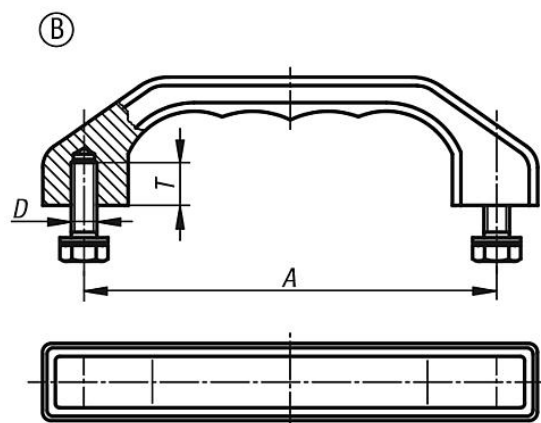
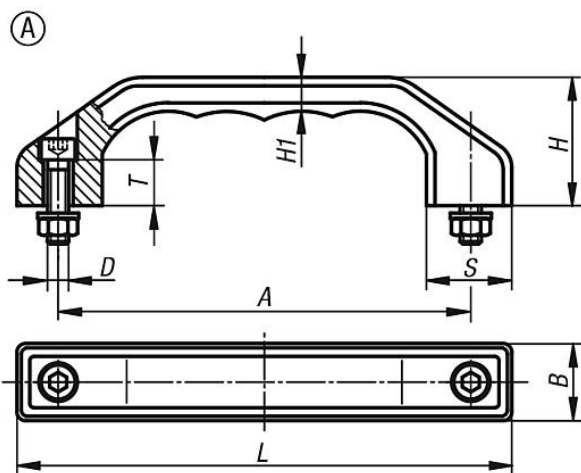
**Version:**

Abrasive cleaned and matt gloss electropolished.

**Assembly:**

style A from the front.  
style B from the rear.

## Drawings



## Pull Handles, stainless steel, metric

Item No.	style	A	B	D	H	H1	L	S	T	Load capacity N
K0198.140081	A	140	25	M8x30	45	12	170	28	15	1000
K0198.180101	A	180	32	M10x40	58	15	218	36	18	1000
K0198.140082	B	140	25	M8x18	45	12	170	28	15	1000
K0198.180102	B	180	32	M10x20	58	15	218	36	18	1000