

Pull Handles aluminum

Item description/product images

METRIC
Parts

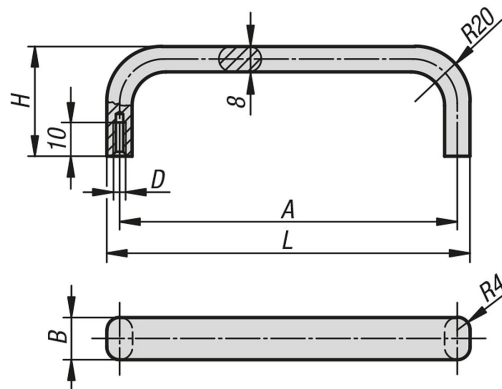


Description

Material:
Oval aluminum.

Version:
Surface matt-finished and natural color or black anodised.

Drawings



Pull Handles, aluminum, metric

Order No. black	Order No. natural	A	B	D	H	L	Load capacity N
K0202.055051	K0202.055053	55	12	M5	40	63	500
K0202.088051	K0202.088053	88	12	M5	40	96	500
K0202.100051	K0202.100053	100	12	M5	40	108	500
K0202.120051	K0202.120053	120	12	M5	40	128	500
K0202.180051	K0202.180053	180	12	M5	40	188	500
K0202.200051	K0202.200053	200	12	M5	40	208	500
K0202.235051	K0202.235053	235	12	M5	40	243	500
K0202.250051	K0202.250053	250	12	M5	40	258	500