

Pull handles oval detachable

Item description/product images



Description

Material:

Pull handle oval aluminum EN AW-6060.

Locating pin free-cutting steel 1.0718.

Blanking disc free-cutting steel 1.0718.

Version:

Pull handle black powder-coated.

Locating pin and blanking disc black oxidized.

Note:

The pull handles are mounted on an object by a push-fit system.

Dismantling is carried out when no load is applied.

Application:

Insert the pull handle into the opening until the grip makes contact with the blanking disc.

Lock by holding the handle parallel and pulling up.

The grip can only be subject to vertical loads.

To release, follow the previous instructions in reverse.

Assembly:

An object must be prepared before the blanking disc can be mounted.

See mounting instructions drawing.

Drawing reference:

1) Position disengaged

2) Position engaged

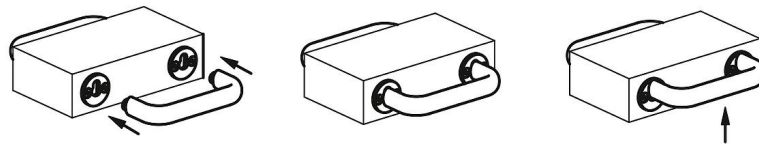
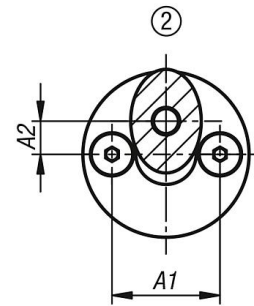
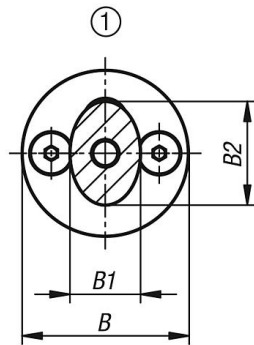
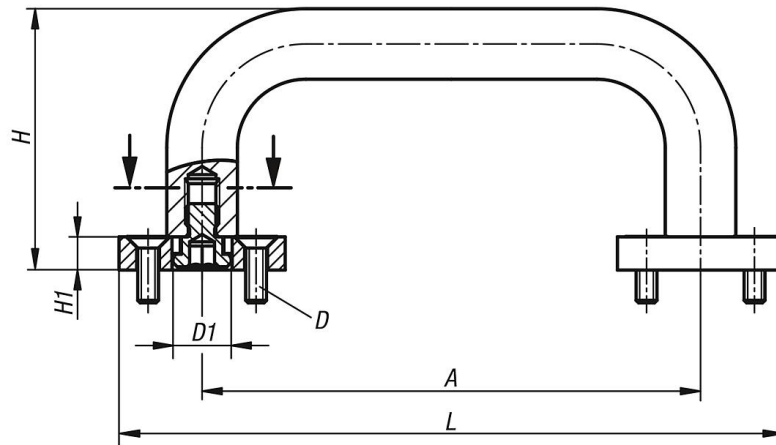
S = insert

E = engage

A = lift

Pull handles oval detachable

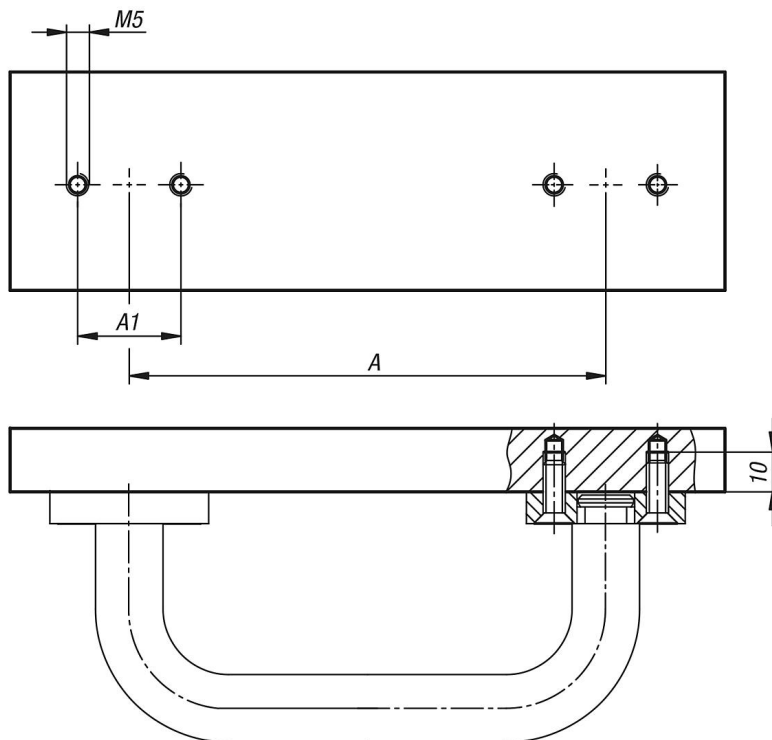
Drawings



Pull handles oval detachable

Drawings

mounting instructions:



Pull handles oval detachable

Order No.	A	A1	A2	B	B1	B2	D	D1	H	H1	L	Load capacity N
K0204.10012001	100	24	7	35	13	21	M5x16	12	58	8	135	1000
K0204.11212001	112	24	7	35	13	21	M5x16	12	58	8	147	1000
K0204.11214001	112	26	8	40	15	25	M5x16	14	63	8	152	1000
K0204.12012001	120	24	7	35	13	21	M5x16	12	58	8	155	1000
K0204.12014001	120	26	8	40	17	25	M5x16	14	63	8	160	1000
K0204.12812001	128	24	7	35	13	21	M5x16	12	58	8	163	1000
K0204.12814001	128	26	8	40	17	25	M5x16	14	63	8	168	1000
K0204.16012001	160	24	7	35	13	21	M5x16	12	58	8	195	1000
K0204.16014001	160	26	8	40	17	25	M5x16	14	63	8	200	1000
K0204.18014001	180	26	8	40	17	25	M5x16	14	63	8	220	1000
K0204.19214001	192	26	8	40	17	25	M5x16	14	63	8	232	1000
K0204.35014001	350	26	8	40	17	25	M5x16	14	63	8	390	1000