

## Pull Handles

### Item description/product images



### Description

**Material:**

Profile aluminum EN AW-6060

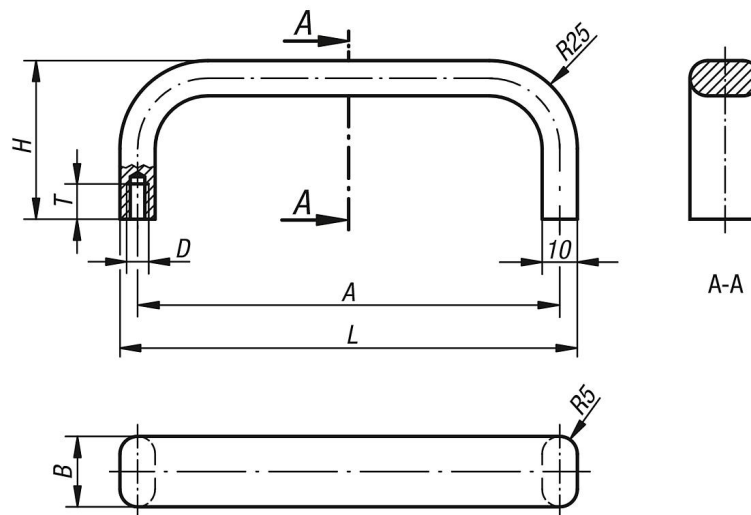
**Version:**

Matt-finished, black or natural color anodised

**Note:**

These elegant flat profile aluminum handles are especially suitable for machines, fixtures, equipment etc.

### Drawings



### Pull handles

Order No.	Main color	A	B	D	H	L	T	Load capacity N
K0205.12001	black	120	20	M5	45	130	10	500
K0205.18001	black	180	20	M5	45	190	10	500
K0205.20001	black	200	20	M5	45	210	10	500
K0205.35001	black	350	20	M6	45	360	12	500
K0205.12003	natural	120	20	M5	45	130	10	500
K0205.18003	natural	180	20	M5	45	190	10	500
K0205.20003	natural	200	20	M5	45	210	10	500
K0205.35003	natural	350	20	M6	45	360	12	500