

Pull handles

Item description/product images



Description

Material:

Profile aluminum EN AW-6060

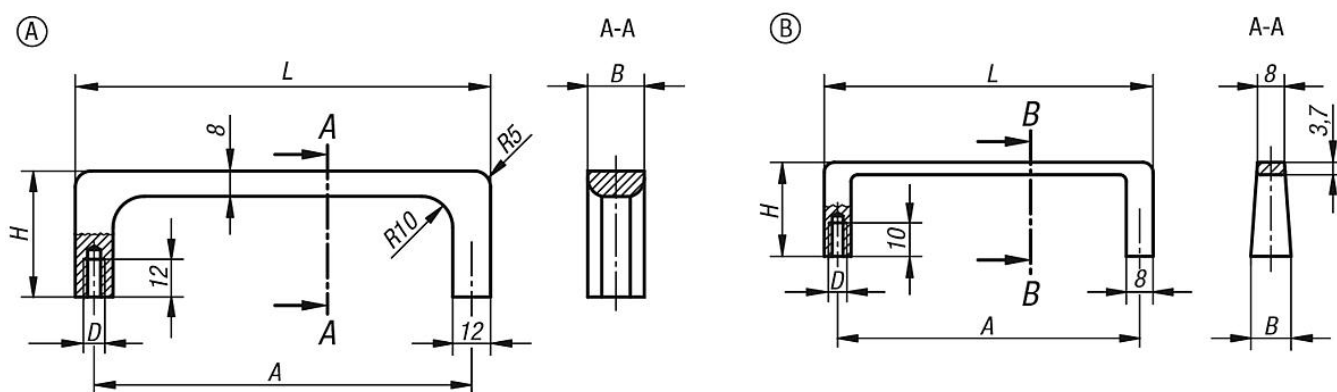
Version:

Matt-finished, anodised black or natural tone.

Assembly:

From the rear.

Drawings



Pull Handles aluminum, metric

Item No.	style	Main color	A	B	D	H	L	Load capacity N
K0213.12001	A	black	120	18	M6	40	132	500
K0213.09001	B	black	90	12	M5	28	98	300
K0213.12003	A	natural	120	18	M6	40	132	500
K0213.09003	B	natural	90	12	M5	28	98	300