

Pull Handles

Item description/product images

19"



Description

Material:

Grip aluminum.
Legs high-strength plastic

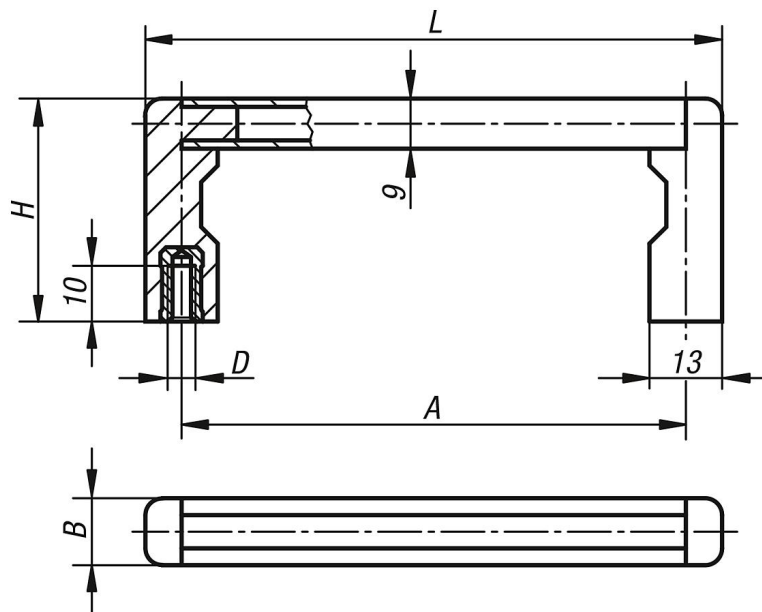
Version:

Grip natural tone or black anodised.

Assembly:

From the rear.

Drawings



Pull handles

Order No.	Main color	A	B	D	H	L	Load capacity N
K0217.05501	black	55	12	M5	40	69	1000
K0217.08801	black	88	12	M5	40	102	1000
K0217.10001	black	100	12	M5	40	114	1000
K0217.12001	black	120	12	M5	40	134	1000
K0217.18001	black	180	12	M5	40	194	1000
K0217.23501	black	235	12	M5	40	249	1000
K0217.05503	natural	55	12	M5	40	69	1000
K0217.08803	natural	88	12	M5	40	102	1000
K0217.10003	natural	100	12	M5	40	114	1000

Order No.	Main color	A	B	D	H	L	Load capacity N
K0217.12003	natural	120	12	M5	40	134	1000
K0217.18003	natural	180	12	M5	40	194	1000
K0217.23503	natural	235	12	M5	40	249	1000