

Pull Handles aluminum, metric

Item description/product images



Description

Material:

Legs and grip aluminum EN AW-6060.

Connecting pins stainless steel.

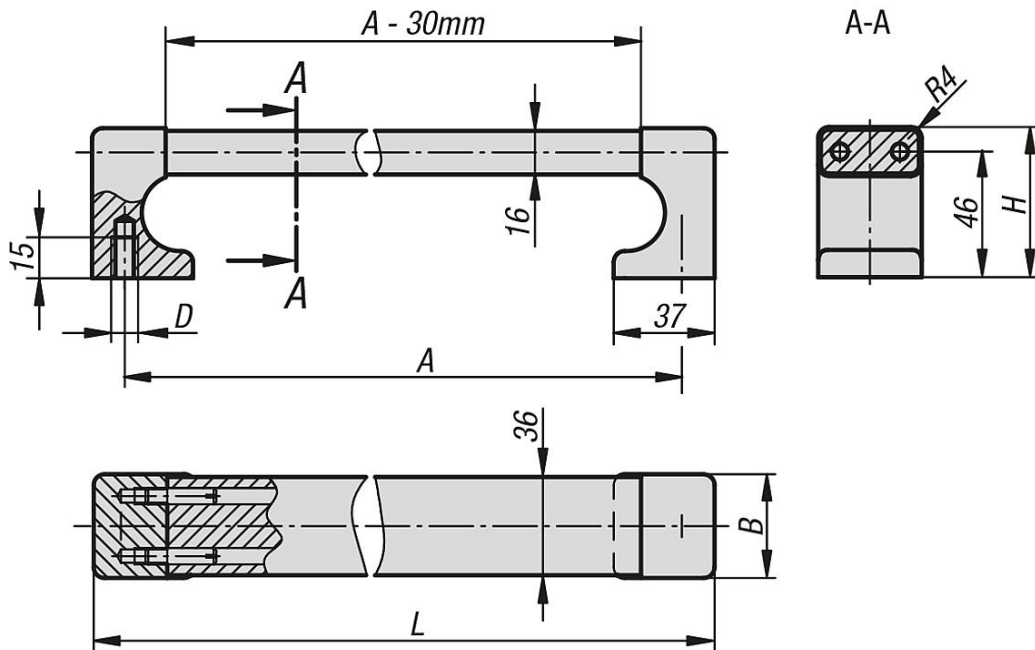
Version:

Legs and grip finely ground, anodised black or natural tone.

Note:

The solid construction permits this handle series to also be used as edge protectors.

Drawings



Pull handles

Order No.	Main color	A	B	D	H	L	Load capacity N
K0228.250081	black anodized	250	38	M8	55	274	1000
K0228.300081	black anodized	300	38	M8	55	324	1000
K0228.400081	black anodized	400	38	M8	55	424	1000
K0228.500081	black anodized	500	38	M8	55	524	1000
K0228.600081	black anodized	600	38	M8	55	624	1000
K0228.250083	natural anodized	250	38	M8	55	274	1000
K0228.300083	natural anodized	300	38	M8	55	324	1000
K0228.400083	natural anodized	400	38	M8	55	424	1000
K0228.500083	natural anodized	500	38	M8	55	524	1000
K0228.600083	natural anodized	600	38	M8	55	624	1000

