

## Plastic Grips

### Item description/product images



### Description

**Material:**

Glass-bead reinforced thermoplastic.  
Fastening material 1.4301 (AISI 304 equivalent).

**Version:**

Matt black with fine texture.

**Note:**

These open-ended handles can be mounted right or left. They are style stable and have a high load rating.

Fastening bolts, nuts and washers are supplied as is a locking plate to prevent twisting.

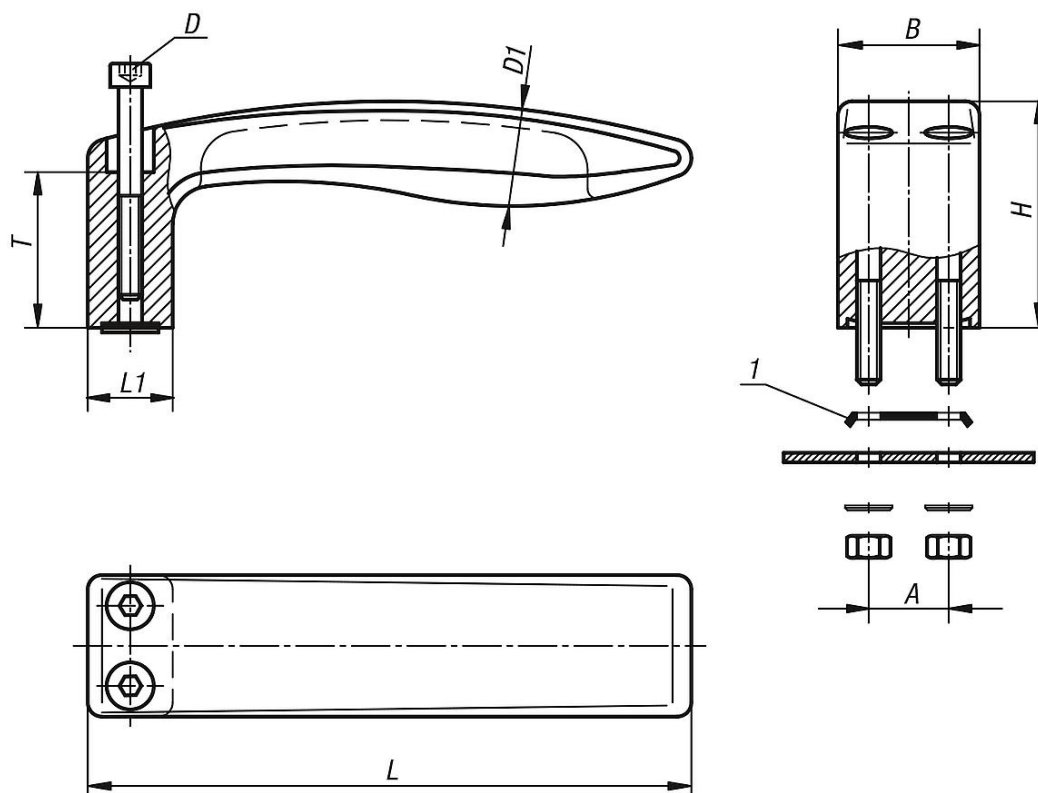
**Assembly:**

From the front.

**Drawing reference:**

1) locking plate

### Drawings



### Pull handles open-ended screw on

| Item No.           | A  | B  | D     | D1 | H  | L   | L1 | T  | Load capacity N |
|--------------------|----|----|-------|----|----|-----|----|----|-----------------|
| <b>K0237.12805</b> | 17 | 30 | M5x45 | 20 | 48 | 128 | 18 | 33 | 800             |
| <b>K0237.15606</b> | 20 | 36 | M6x55 | 24 | 58 | 156 | 22 | 40 | 1000            |