

Recessed handles fold-down

Item description/product images

19"



Description

Material:

Tray and grip aluminum profile.

End caps polyamide.

style A: Rubber profile for mounting.

style B: 2 steel countersunk screws for mounting.

Version:

Tray and grip glass-bead blasted, satin finish and anodised black or natural color.

Rubber profile black.

Fastening screws electro zinc-plated.

Note:

style A handles can be mounted without screws for material thicknesses of 1 - 2.5 mm using 2 rubber profiles.

style B handles can be mounted from the front with 2 countersunk screws.

Two cross-slots for M4 screws allow earthing connection and can serve as a mounting aid for additional parts.

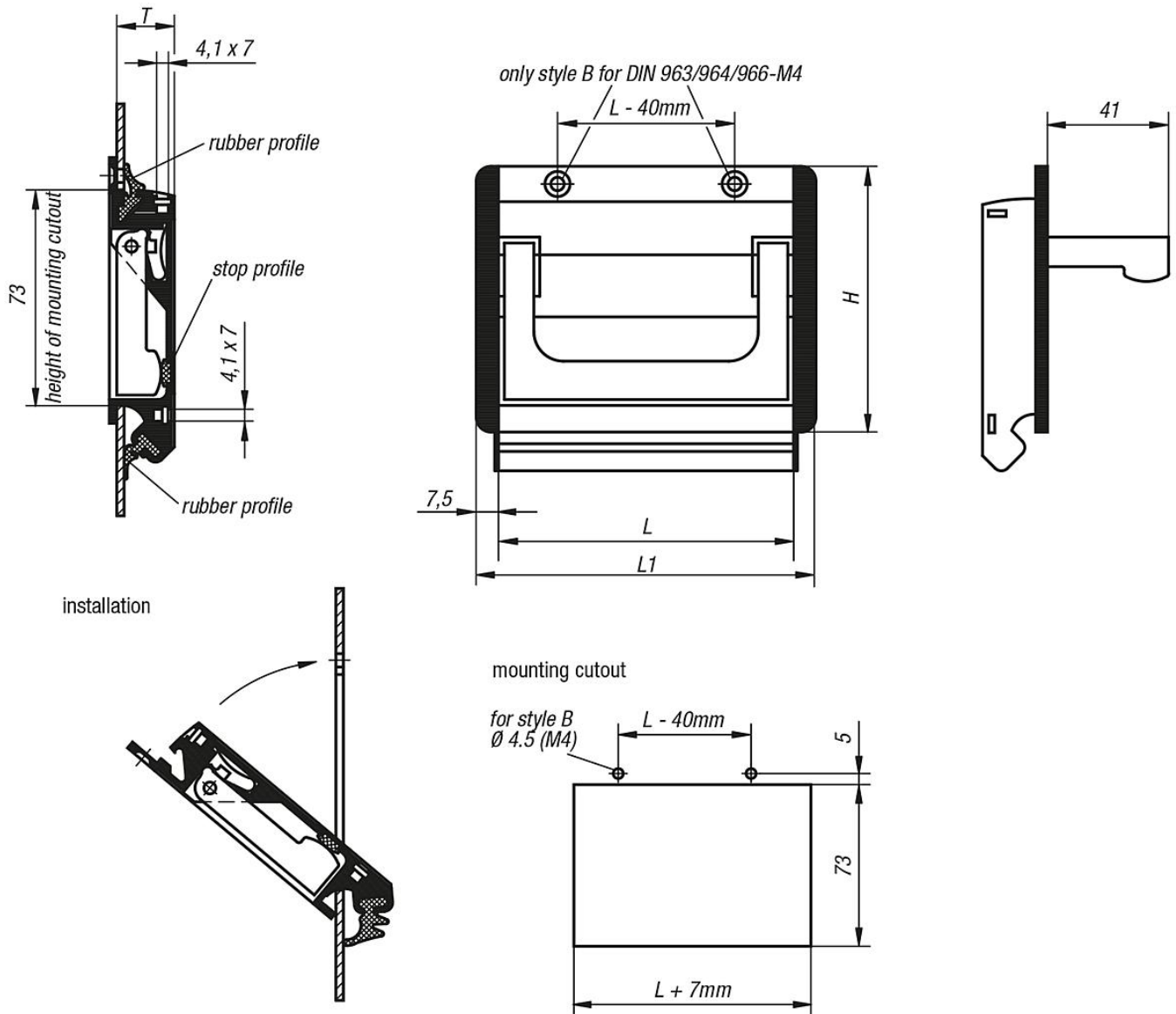
Assembly:

After fitting the lower rubber profile, press the two side caps onto the handle. Next press the handle over the lower edge of the mounting cutout at a 45° angle and then push it up against the housing panel.

Now push the 2nd rubber profile into the upper groove or fix in place with 2 countersunk screws.

Recessed handles fold-down

Drawings



Recessed handles fold-down

Order No. black anodized	Order No. natural anodized	style	Version 2	H	L	L1	T	Mounting cutout	Load capacity N
K0239.10011	K0239.10013	A	plug-in	90	100	115	19,5	107 x 73	500
K0239.11811	K0239.11813	A	plug-in	90	118	133	19,5	125 x 73	500
K0239.16711	K0239.16713	A	plug-in	90	167	182	19,5	174 x 73	500
K0239.10021	K0239.10023	B	screw on	90	100	115	19,5	107 x 73	500
K0239.11821	K0239.11823	B	screw on	90	118	133	19,5	125 x 73	500
K0239.16721	K0239.16723	B	screw on	90	167	182	19,5	174 x 73	500

