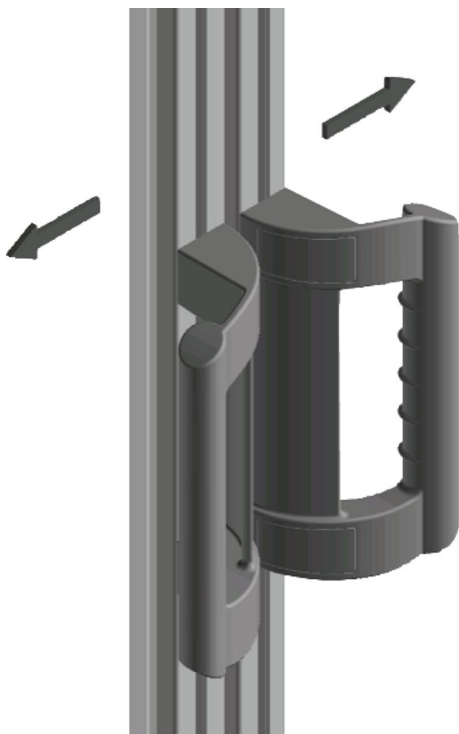


Pull handles angled

Item description/product images



Description

Material:

Glass-bead reinforced thermoplastic PA

Version:

black.

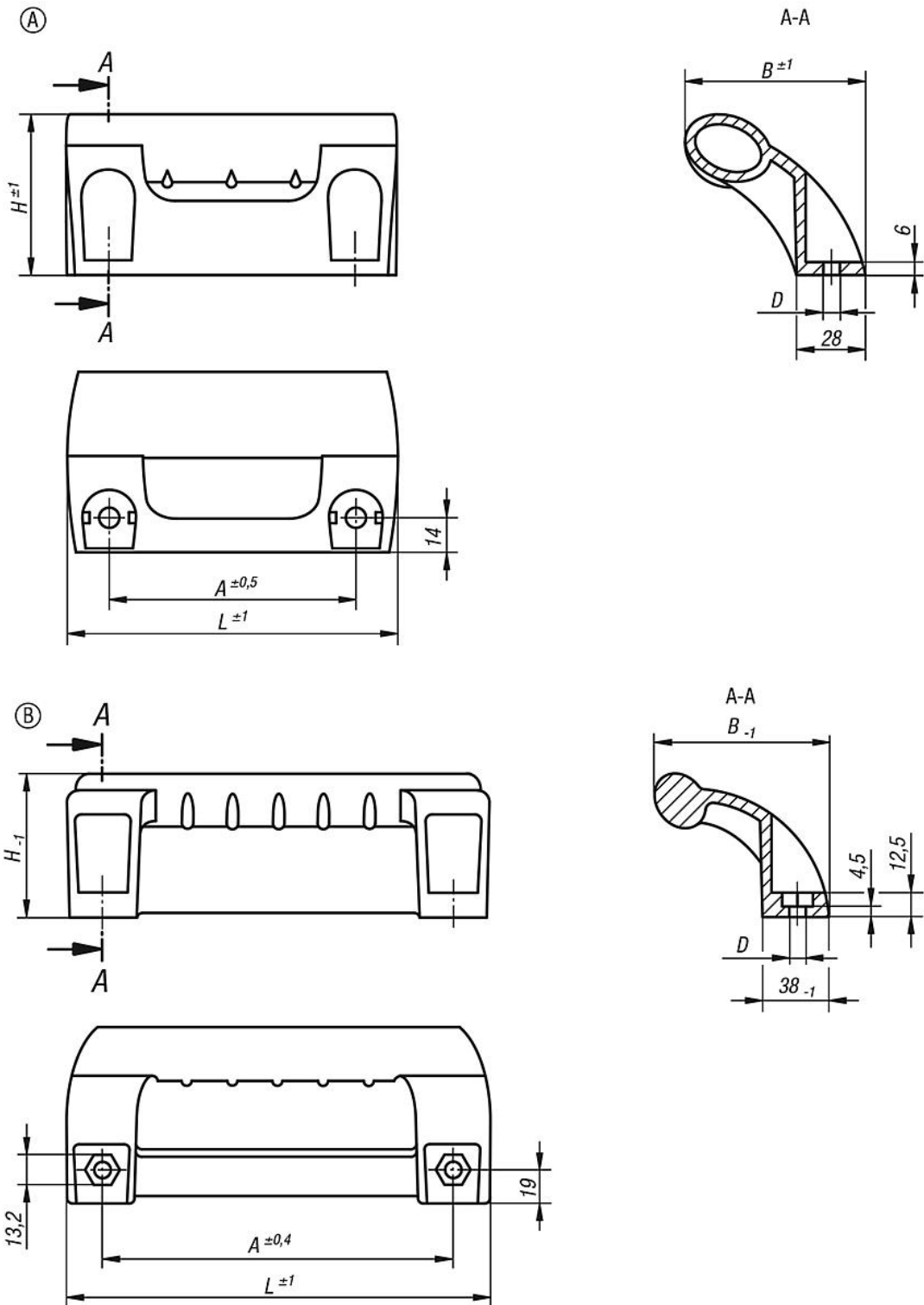
Note:

Ergonomic design pull handles with finger shield. For mounting on doors, hatches and aluminum profiles. Ideal for double-leaf doors. Fastening with hexagon or socket head M8 bolts.

Cover caps are not supplied with the handle, please order separately.

Pull handles angled

Drawings



Pull handles angled

Item No.	style	A	B	D	H	L	Load capacity N	
K0244.100081	A	100	73	8,5	65	134	1000	K0244.1
K0244.198081	B	198	100	8,8	80	236	1000	K0244.3

