

Pull Handles

Item description/product images

19"



Description

Material:

Grip aluminum.
Legs and cap PA 6.
Tapped bushing steel.

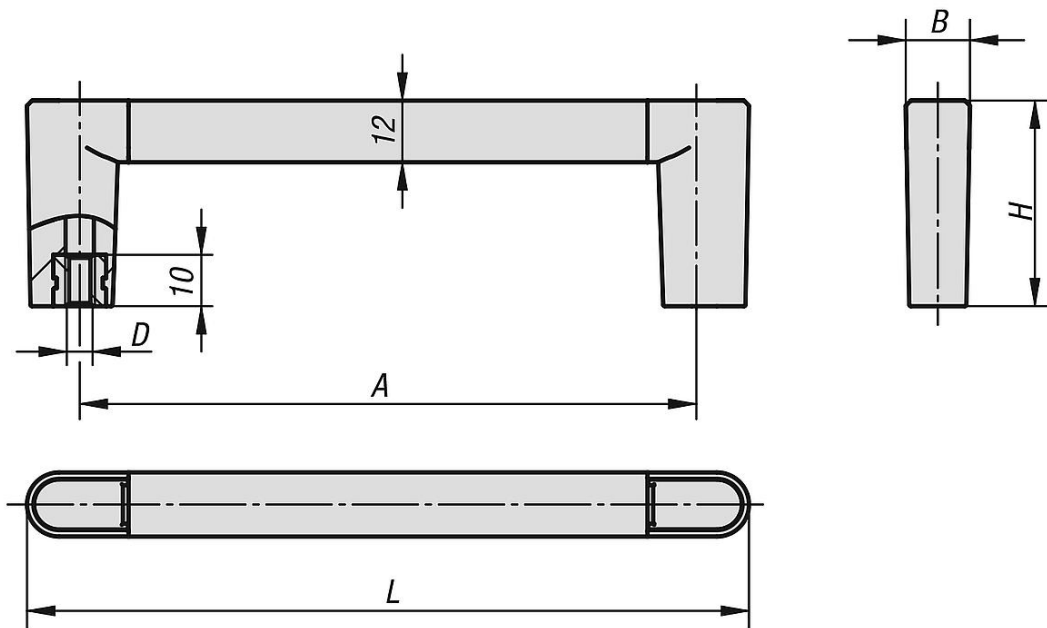
Version:

Grip natural color or black anodised.
Tapped bushing electro zinc-plated.

Note:

- 19"
- Closed design
- Simple assembly
- The cap is tapped on using a plastic hammer

Drawings



Pull handles

Order No.	Main color	A	B	D	H	L	Load capacity N
K1128.055101	black	55	12,5	M5	40	75,5	1000
K1128.088101	black	88	12,5	M5	40	108,5	1000
K1128.100101	black	100	12,5	M5	40	120,5	1000
K1128.120101	black	120	12,5	M5	40	140,5	1000
K1128.180101	black	180	12,5	M5	40	200,5	1000
K1128.235101	black	235	12,5	M5	40	255,5	1000
K1128.055103	natural	55	12,5	M5	40	75,5	1000
K1128.088103	natural	88	12,5	M5	40	108,5	1000
K1128.100103	natural	100	12,5	M5	40	120,5	1000

Order No.	Main color	A	B	D	H	L	Load capacity N
K1128.120103	natural	120	12,5	M5	40	140,5	1000
K1128.180103	natural	180	12,5	M5	40	200,5	1000
K1128.235103	natural	235	12,5	M5	40	255,5	1000