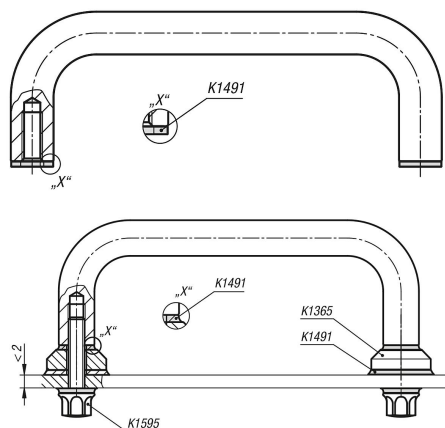


Pull handles for Hygienic USIT® sealing and shim washer Freudenberg

Process Seals

Item description/product images



Description

Material:

Stainless steel 1.4404 (AISI 316L equivalent).

Version:

High-gloss polished.

Note:

Solid pull handles, polished overall to a high gloss. The resulting surface finish of less than Ra 0.8 µm allows residue from products or cleaners to seldom adhere. This, together with the large radii make the handle extremely easy to clean. Through the optionally available support disc, the contact surface i.e. the transferable force is considerably increased.

Screwing on directly or using the intermediate support disc is carried out using the Hygienic USIT® sealing washer from Freudenberg Process Seals. The as normal time-consuming welding of the handle, grinding and polishing the weld is not required. All fastening points and the screw-on surface are hygienically handled.

On request:

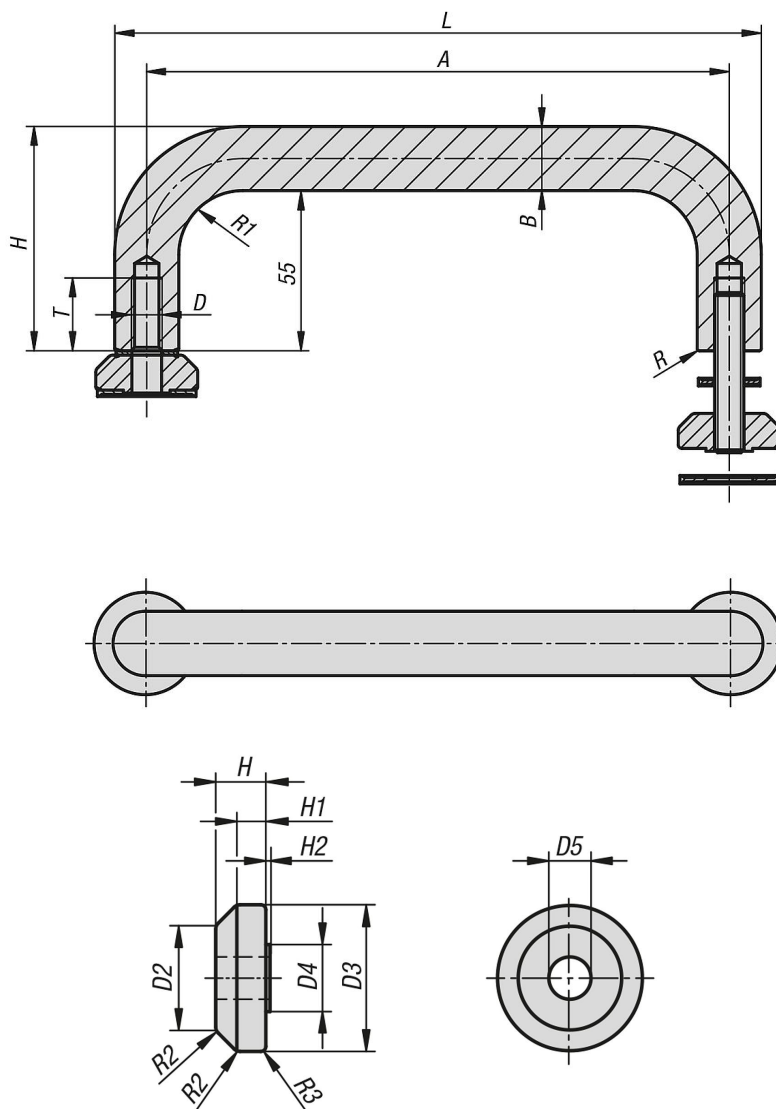
External threads, inch threads, longer and higher versions.

Accessory:

Hygienic USIT® sealing and shim washer K1491 for the screw-on surface and the support disc.

**Pull handles for Hygienic USIT® sealing and shim washer Freudenberg
Process Seals**

Drawings



Pull handles

Order No.	Item	for screws	A	B	D	D2	D3	D4	D5	H	H1	H2	L	R	R1	R2	R3	T
K1364.12005	Pull Handle	-	120	11,8	M5	-	-	-	-	66,8	-	-	131,8	0,5	13	-	-	12,5
K1364.20005	Pull Handle	-	200	11,8	M5	-	-	-	-	66,8	-	-	211,8	0,5	13	-	-	12,5
K1364.30005	Pull Handle	-	300	11,8	M5	-	-	-	-	66,8	-	-	311,8	0,5	13	-	-	12,5
K1364.12006	Pull Handle	-	120	14,2	M6	-	-	-	-	69,2	-	-	134,2	0,55	16	-	-	15
K1364.20006	Pull Handle	-	200	14,2	M6	-	-	-	-	69,2	-	-	214,2	0,55	16	-	-	15
K1364.30006	Pull Handle	-	300	14,2	M6	-	-	-	-	69,2	-	-	314,2	0,55	16	-	-	15
K1364.12008	Pull Handle	-	120	18	M8	-	-	-	-	73	-	-	138	0,6	19	-	-	20
K1364.30008	Pull Handle	-	300	18	M8	-	-	-	-	73	-	-	318	0,6	19	-	-	20
K1364.12010	Pull Handle	-	120	22,3	M10	-	-	-	-	77,3	-	-	142,3	0,75	23,5	-	-	25
K1364.20010	Pull Handle	-	200	22,3	M10	-	-	-	-	77,3	-	-	222,3	0,75	23,5	-	-	25
K1364.30010	Pull Handle	-	300	22,3	M10	-	-	-	-	77,3	-	-	322,3	0,75	23,5	-	-	25
K1365.05	Cover Plate	M5	-	-	-	13,5	18	8	5,2	6	3,5	0,7	-	-	-	1,5	0,6	-
K1365.06	Cover Plate	M6	-	-	-	15,7	22,3	10	6,2	8	4,8	0,7	-	-	-	1,5	0,75	-
K1365.08	Cover Plate	M8	-	-	-	20	26,6	12	8,2	10	6,7	1	-	-	-	2	0,9	-
K1365.10	Cover Plate	M10	-	-	-	24,3	35	16	10,2	12	7	1	-	-	-	2	1,2	-

