

Pull handles, plastic with electronic switch function

Item description/product images



Description

Material:

Plastic PA6.

Version:

Fine texture, black.

Note:

Push button with red or green LED.

Form A:

Connector with 8 pin plug in the screw face of the grip leg. (Connector (K1498) with 10 m cable available as accessory. Please order separately.)

Form B:

Connection cable, 5 m long, attached to the screw face of the grip leg.

Rating: IP65 for Form A (when connector is screwed on).

Assembly:

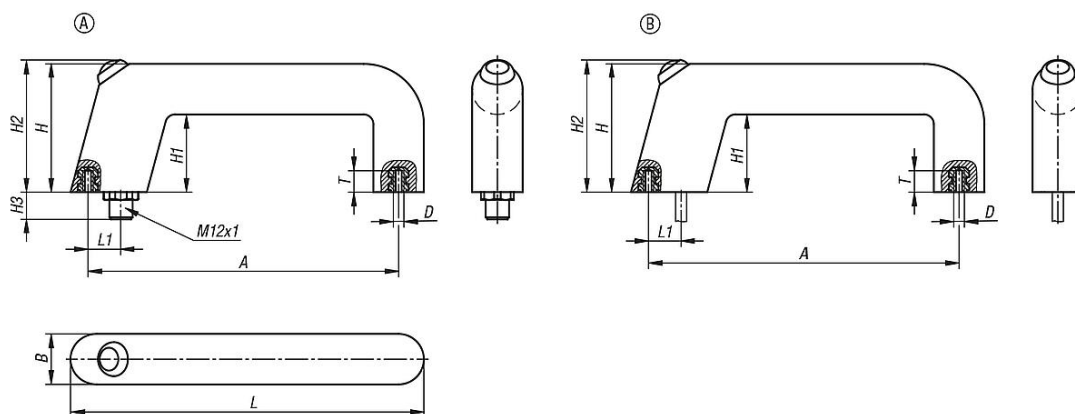
From the rear.

Drawing reference:

Form A: with plug

Form B: with cable

Drawings



Overview of items

Pull handles, plastic with electronic switch function

Pull handles, plastic with electronic switch function

Overview of items

Order No.	Form	Component colour	A	B	D	H	H1	H2 max.	H3	L	L1	T	Load capacity N
K1527.11601	A	green	160	26	M6	66	40	70	10	182	17	10	1000
K1527.11602	A	red	160	26	M6	66	40	70	10	182	17	10	1000
K1527.21601	B	green	160	26	M6	66	40	70	-	182	17	10	1000
K1527.21602	B	red	160	26	M6	66	40	70	-	182	17	10	1000