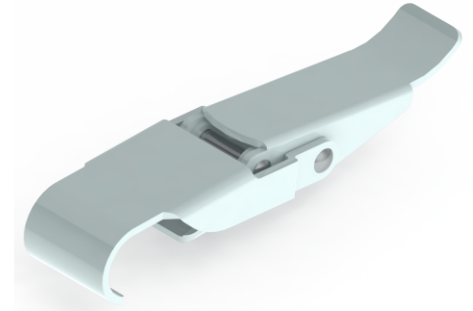
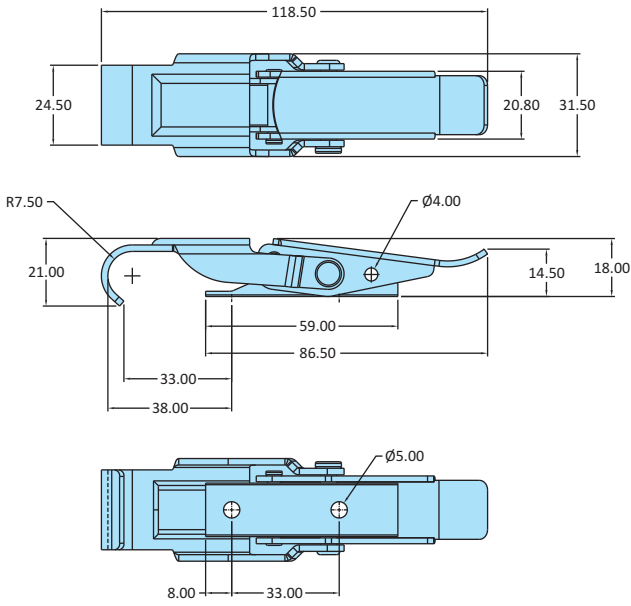


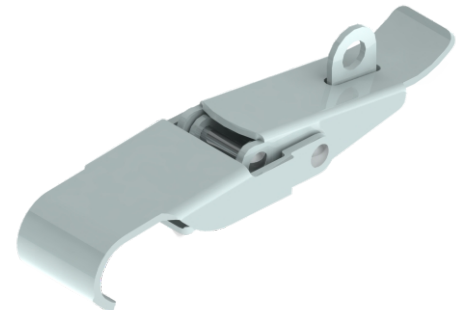
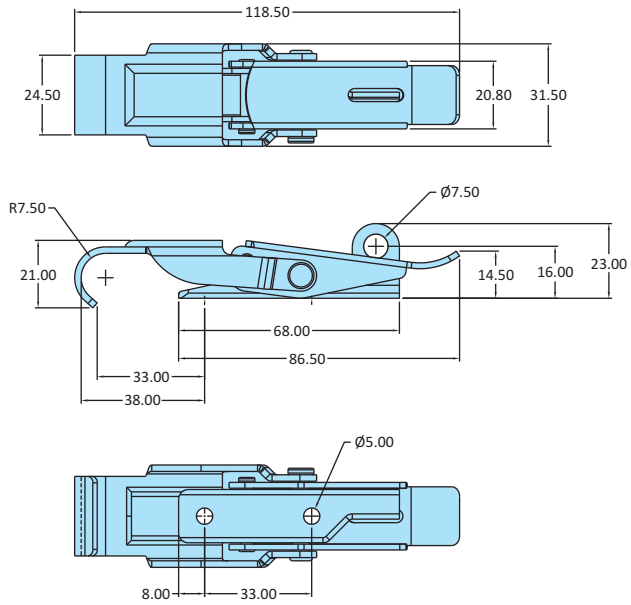
Medium Duty
Non-Adjustable Claw Toggle Latch

Model No	PAH-40-502
Weight	0.100 Kgs
Holding Capacity	X - 2.40 kN
Material	Steel
Finish	Zinc Plated
Model No	PAH-40-502-SS
Material	Stainless Steel-304



Medium Duty
Non-Adjustable Claw Latch Padlockable

Model No	PAH-40-570
Weight	0.110 Kgs
Holding Capacity	X - 2.40 kN
Material	Steel
Finish	Zinc Plated
Model No	PAH-40-570-SS
Material	Stainless Steel-304



Medium Duty
Non-Adjustable Claw Latch

Model No	PAH-50-502
Weight	0.120 Kgs
Holding Capacity	X - 2.40 kN
Material	Steel
Finish	Zinc Plated
Model No	PAH-50-502-SS
Material	Stainless Steel-304

