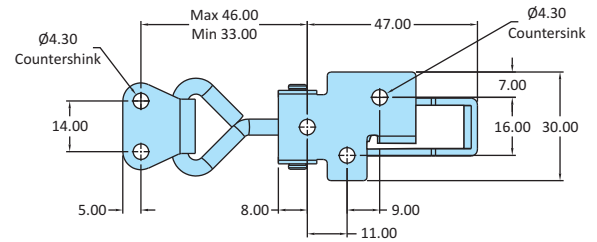
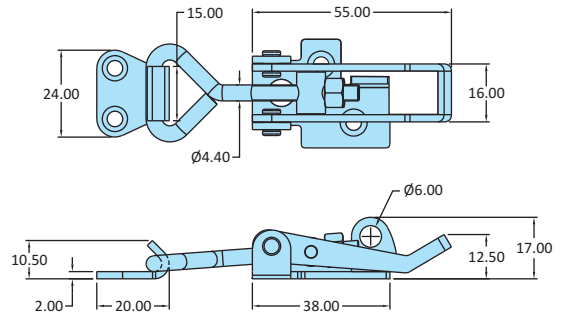
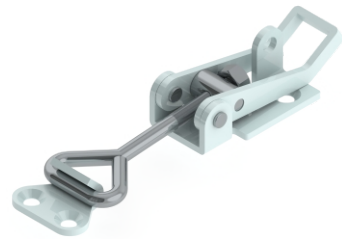


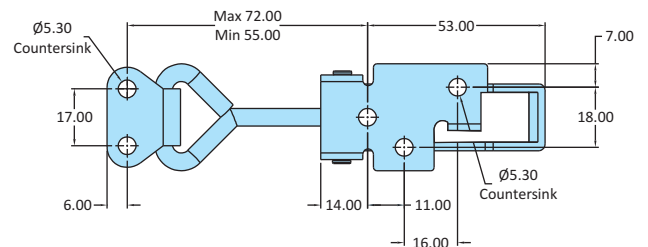
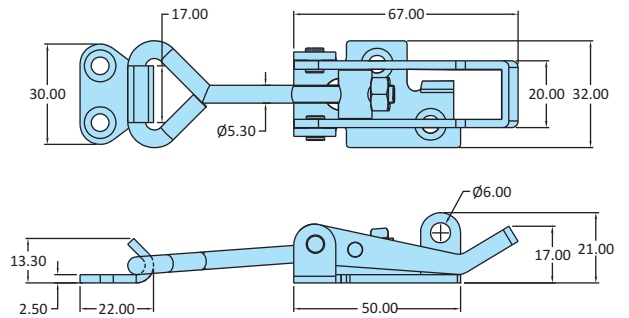
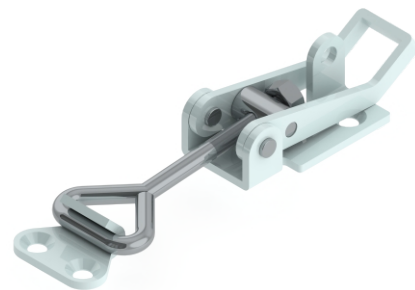
Medium Duty  
Adjustable Latch Padlockable

Model No	PAH-CT-0210
Weight	0.050 Kgs
Holding Capacity	X - 0.70 kN
Material	Steel
Finish	Zinc Plated
Supplied with Hook	FH-0212
Model No	PAH-CS-0210-SS
Material	Stainless Steel-304
Supplied with Hook	FH-0212-SS



Medium Duty  
Adjustable Latch Padlockable

Model No	PAH-CT-0220
Weight	0.100 Kgs
Holding Capacity	X - 0.90 kN
Material	Steel
Finish	Zinc Plated
Supplied with Hook	FH-0222
Model No	PAH-CS-0220-SS
Material	Stainless Steel-304
Supplied with Hook	FH-0222-SS



Medium Duty  
Adjustable Latch Padlockable

Model No	PAH-CT-0230
Weight	0.210 Kgs
Holding Capacity	X - 1.00 kN
Material	Steel
Finish	Zinc Plated
Supplied with Hook	FH-0232
Model No	PAH-CS-0230-SS
Material	Stainless Steel-304
Supplied with Hook	FH-0232-SS

