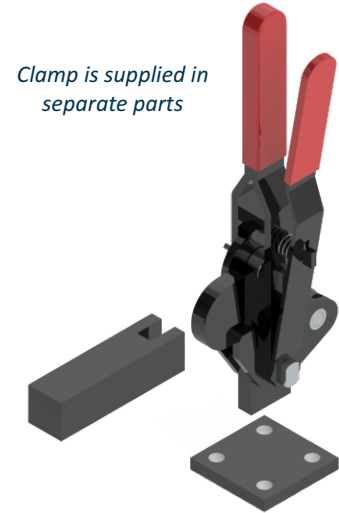
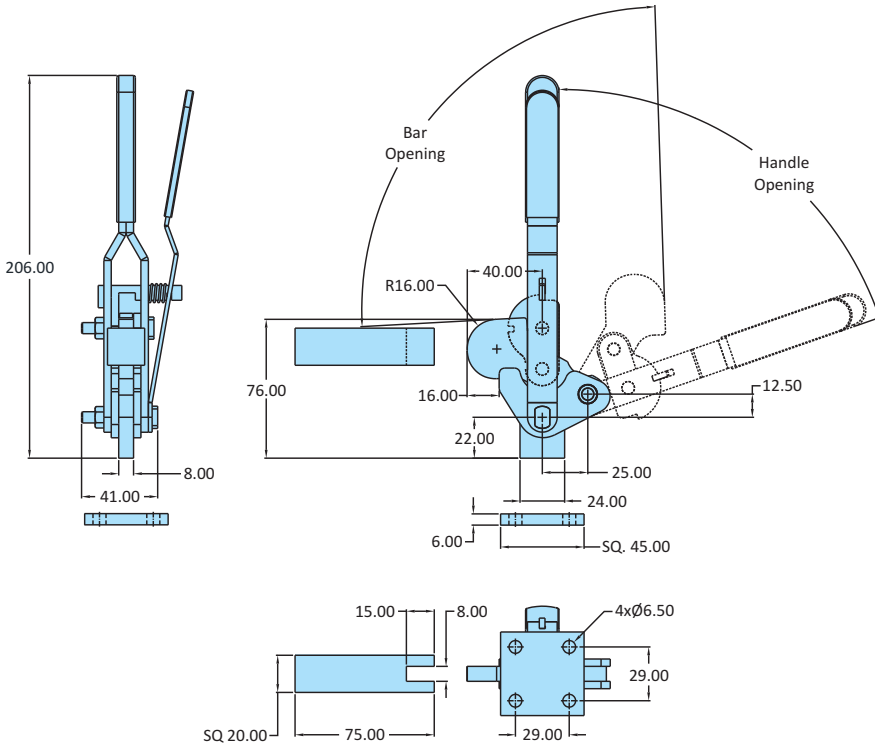


H.V. Series Toggle Clamps
Swivel Base

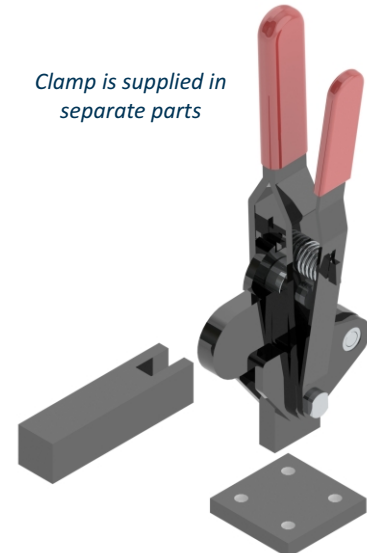
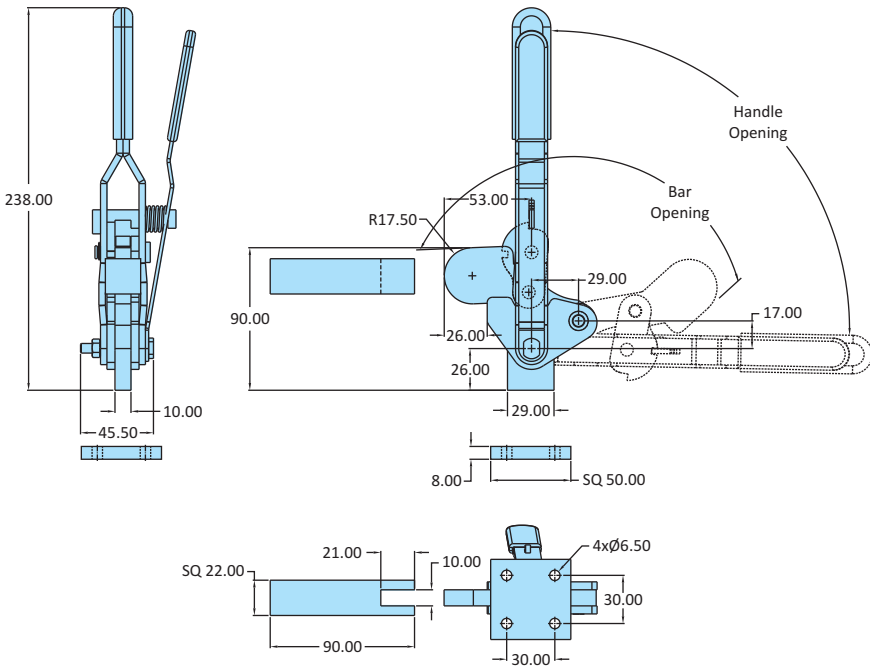
Model No	HV-BII-200-TRIG
Weight	1.000 Kgs
Handle Opening ($\pm 3^\circ$)	60°
Clamp Bar Opening ($\pm 3^\circ$)	90°
Holding Capacity	4.90 kN
Material	Steel
Finish	Black ED* Coating
Arm Type	Solid Arm
Base Type	Swivel Base



Clamp is supplied in separate parts

H.V. Series Toggle Clamps
Swivel Base

Model No	HV-BII-300-TRIG
Weight	1.490 Kgs
Handle Opening ($\pm 3^\circ$)	90°
Clamp Bar Opening ($\pm 3^\circ$)	140°
Holding Capacity	6.90 kN
Material	Steel
Finish	Black ED* Coating
Arm Type	Solid Arm
Base Type	Swivel Base



Clamp is supplied in separate parts