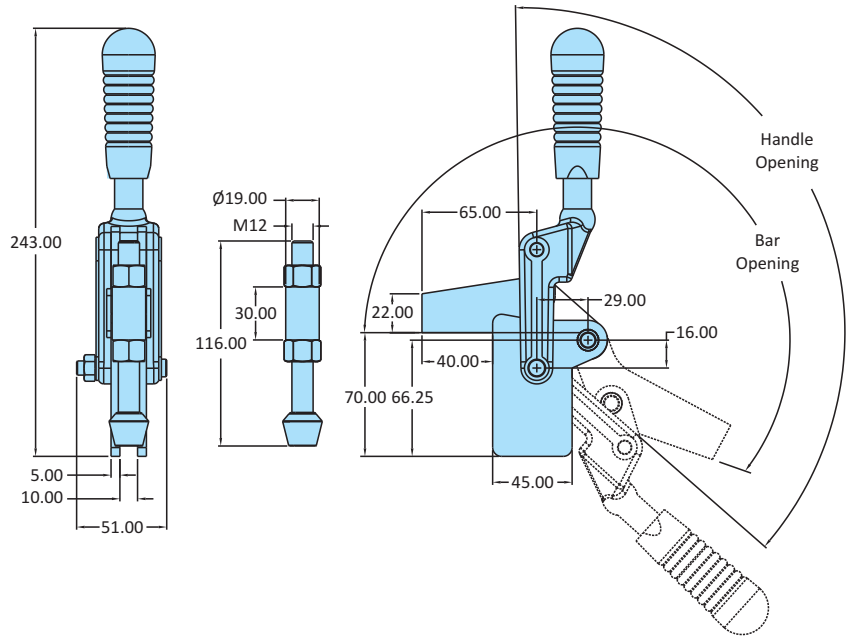


H.V. Series Toggle Clamps

Straight Base

| | |
|-------------------------------------|-------------------|
| Model No | HV-700-1A |
| Weight | 1.120 Kgs |
| Handle Opening ($\pm 3^\circ$) | 130° |
| Clamp Bar Opening ($\pm 3^\circ$) | 205° |
| Holding Capacity | 6.90 kN |
| Material | Steel |
| Finish | Black ED* Coating |
| Arm Type | Solid Arm |
| Base Type | Straight Base |
| Supplied with Spindle | RT-12155-2N |



H.V. Series Toggle Clamps

Straight Base

| | |
|-------------------------------------|-------------------|
| Model No | HV-700-FS |
| Weight | 0.800 Kgs |
| Handle Opening ($\pm 3^\circ$) | 160° |
| Clamp Bar Opening ($\pm 3^\circ$) | 180° |
| Holding Capacity | 6.90 kN |
| Material | Steel |
| Finish | Black ED* Coating |
| Arm Type | Solid Arm |
| Base Type | Flanged Base |

