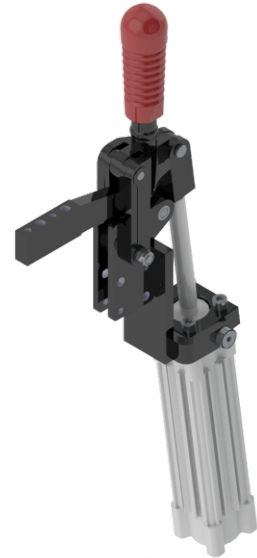
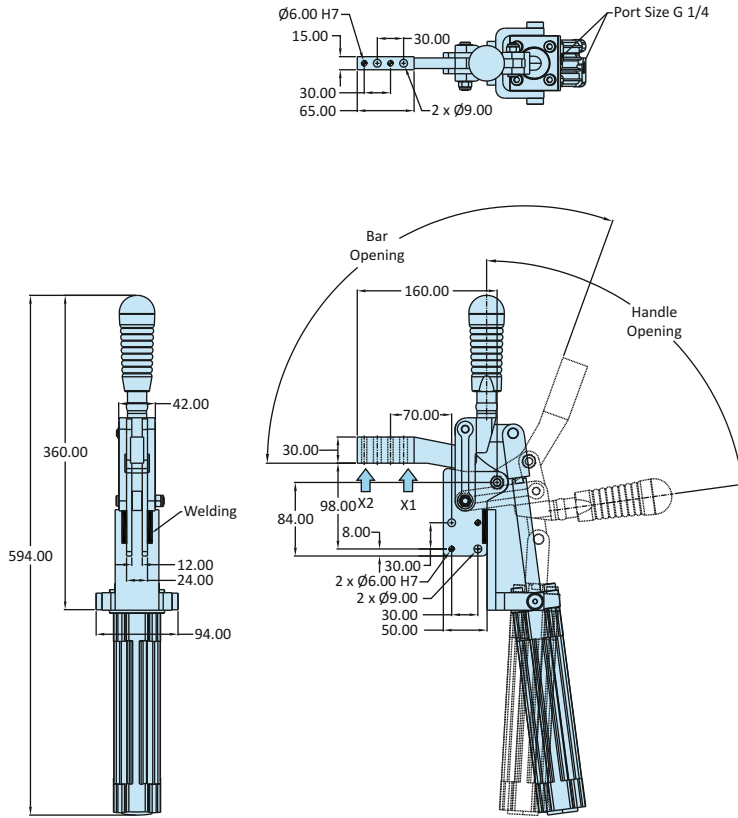


H.V Series Clamps

Model No.	AOT-HV-1200-H-TM-TU
Weight	6.500 Kgs
Handle Opening ($\pm 3^\circ$)	82°
Clamp Bar Opening ($\pm 3^\circ$)	110°
Holding Capacity	X1 - 11.80 kN
	X2 - 5.90 kN
Cylinder Type	ISO Series Double Acting Magnetic Cylinder
Cylinder Bore	40 mm
Cylinder Stroke	125 mm



H.V Series Clamps

Model No.	AOT-HV-2400-H-TM-TU
Weight	9.000 Kgs
Handle Opening ($\pm 3^\circ$)	80°
Clamp Bar Opening ($\pm 3^\circ$)	105°
Holding Capacity	X1 - 23.50 kN
	X2 - 11.80 kN
Cylinder Type	ISO Series Double Acting Magnetic Cylinder
Cylinder Bore	63 mm
Cylinder Stroke	160 mm

