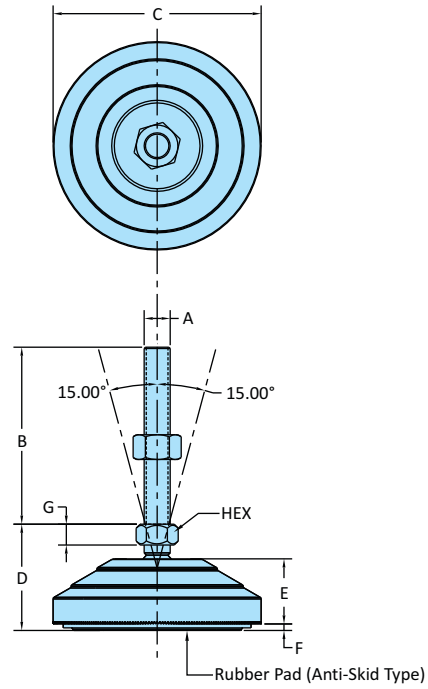


**Technopolymer Plastic Base Leveling Pads**  
**Anti-skid (80mm Base) - External Thread**



Also Available in Nickel Plated Option

Steel Version	Model No.	Weight Kgs	Max. Capacity for Static Load	Dimensions							
				A	B	C	D	E	F	G	HEX
Material Base : Polyamide Glass Fibre reinforced Stud : Steel Anti-Skid Pad : NBR Rubber SH 75 Finish : White Zinc Plating	TPLP-8-68-80	0.135	12 kN	M8	68	80	41.5	25	2.5	8	14
	TPLP-8-100-80	0.145	12 kN	M8	100	80	41.5	25	2.5	8	14
	TPLP-10-68-80	0.149	12 kN	M10	68	80	41.5	25	2.5	8	14
	TPLP-10-80-80	0.156	12 kN	M10	80	80	41.5	25	2.5	8	14
	TPLP-10-100-80	0.168	12 kN	M10	100	80	41.5	25	2.5	8	14
	TPLP-10-120-80	0.172	12 kN	M10	120	80	41.5	25	2.5	8	14
	TPLP-10-180-80	0.208	12 kN	M10	180	80	41.5	25	2.5	8	14
	TPLP-12-68-80	0.165	12 kN	M12	68	80	41.5	25	2.5	8	14
	TPLP-12-80-80	0.176	12 kN	M12	80	80	41.5	25	2.5	8	14
	TPLP-12-100-80	0.192	12 kN	M12	100	80	41.5	25	2.5	8	14
	TPLP-16-68-80	0.208	12 kN	M16	68	80	41.5	25	2.5	8	16
	TPLP-16-100-80	0.248	12 kN	M16	100	80	41.5	25	2.5	8	16
	TPLP-16-150-80	0.316	12 kN	M16	150	80	41.5	25	2.5	8	16
	TPLP-16-160-80	0.329	12 kN	M16	160	80	41.5	25	2.5	8	16
	TPLP-20-100-80	0.337	12 kN	M20	100	80	41.5	25	2.5	8	22
TPLP-20-160-80	0.462	12 kN	M20	160	80	41.5	25	2.5	8	22	

Stainless Steel Version	Model No.	Weight Kgs	Max. Capacity for Static Load	Dimensions							
				A	B	C	D	E	F	G	HEX
Material Base : Polyamide Glass Fibre reinforced Stud : Stainless-Steel-304 Rubber Base : NBR Rubber SH 75 Finish : Electro-Polished	TPLP-8-68-80-SS	0.138	12 kN	M8	68	80	25	2.5	41.5	8	14
	TPLP-8-100-80-SS	0.148	12 kN	M8	100	80	25	2.5	41.5	8	14
	TPLP-10-68-80-SS	0.152	12 kN	M10	68	80	25	2.5	41.5	8	14
	TPLP-10-80-80-SS	0.159	12 kN	M10	80	80	25	2.5	41.5	8	14
	TPLP-10-100-80-SS	0.171	12 kN	M10	100	80	25	2.5	41.5	8	14
	TPLP-10-120-80-SS	0.175	12 kN	M10	120	80	25	2.5	41.5	8	14
	TPLP-10-180-80-SS	0.211	12 kN	M10	180	80	25	2.5	41.5	8	14
	TPLP-12-68-80-SS	0.168	12 kN	M12	68	80	25	2.5	41.5	8	14
	TPLP-12-80-80-SS	0.179	12 kN	M12	80	80	25	2.5	41.5	8	14
	TPLP-12-100-80-SS	0.195	12 kN	M12	100	80	25	2.5	41.5	8	14
	TPLP-16-68-80-SS	0.211	12 kN	M16	68	80	25	2.5	41.5	8	16
	TPLP-16-100-80-SS	0.251	12 kN	M16	100	80	25	2.5	41.5	8	16
	TPLP-16-150-80-SS	0.319	12 kN	M16	150	80	25	2.5	41.5	8	16
	TPLP-16-160-80-SS	0.332	12 kN	M16	160	80	25	2.5	41.5	8	16
	TPLP-20-100-80-SS	0.340	12 kN	M20	100	80	25	2.5	41.5	8	22
TPLP-20-160-80-SS	0.465	12 kN	M20	160	80	25	2.5	41.5	8	22	