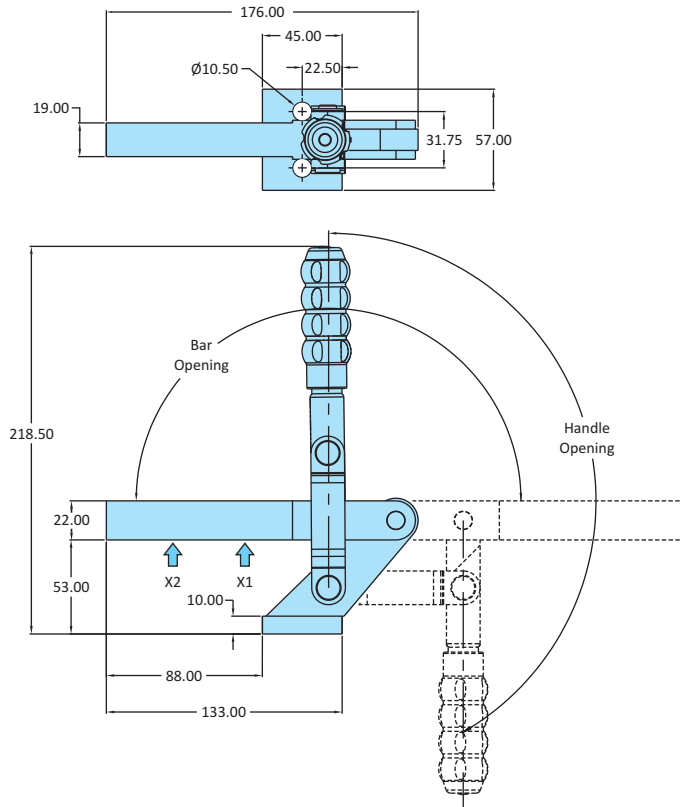


VTC-528-SB  
Heavy Duty Clamps-Flanged Base

Model No	VTC-528-SB
Weight	1.300 Kgs
Handle Opening ( $\pm 3^\circ$ )	180°
Clamp Bar Opening ( $\pm 3^\circ$ )	180°
Holding Capacity	X1 - 4.40 kN
	X2 - 2.50 kN
Material	Steel
Finish	Black ED*Coating
Arm Type	Solid Arm
Base Type	Flanged Base



VTC-528-SB-FM  
Heavy Duty Clamps-Front Mounting Base

Model No	VTC-528-SB-FM
Weight	1.300 Kgs
Handle Opening ( $\pm 3^\circ$ )	180°
Clamp Bar Opening ( $\pm 3^\circ$ )	180°
Holding Capacity	X1 - 4.40 kN
	X2 - 2.50 kN
Material	Steel
Finish	Black ED*Coating
Arm Type	Solid Arm
Base Type	Front Base

