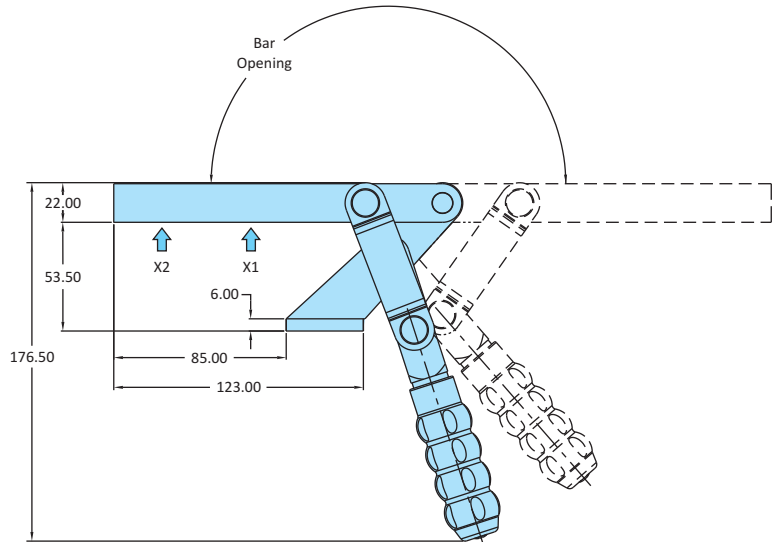
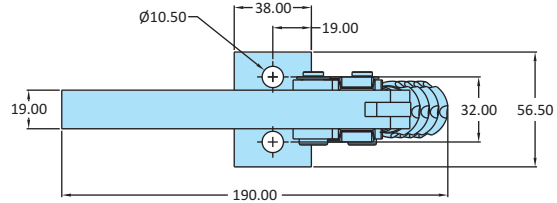


VTC-527-SB

Heavy Duty Clamps-Flanged Base

| | |
|-------------------------------------|------------------|
| Model No. | VTC-527-SB |
| Weight | 1.200 Kgs |
| Handle Opening ($\pm 3^\circ$) | 180° |
| Clamp Bar Opening ($\pm 3^\circ$) | 180° |
| Holding Capacity | X1 - 4.40 kN |
| | X2 - 2.50 kN |
| Material | Steel |
| Finish | Black ED*Coating |
| Arm Type | Solid Arm |
| Base Type | Flanged Base |



VTC-527-SB-FM

Heavy Duty Clamps-Front Mounting Base

| | |
|-------------------------------------|------------------|
| Model No | VTC-527-SB-FM |
| Weight | 1.200 Kgs |
| Handle Opening ($\pm 3^\circ$) | 180° |
| Clamp Bar Opening ($\pm 3^\circ$) | 180° |
| Holding Capacity | X1 - 4.40 kN |
| | X2 - 2.50 kN |
| Material | Steel |
| Finish | Black ED*Coating |
| Arm Type | Solid Arm |
| Base Type | Front Base |

