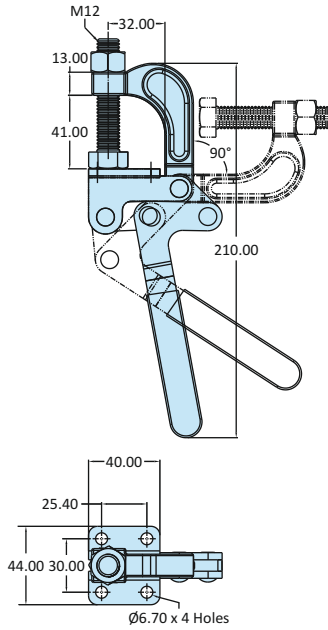


GH-80379

Medium Duty Clamps-Flanged Base

Model No	GH-80379
Weight	0.640 Kgs
Holding Capacity	X - 3.90 kN
Material	Steel
Finish	Zinc Plated
Supplied with Spindle	SH-1265-2N
Model No	GH-80379-SS
Material	Stainless Steel-304
Supplied with Spindle	SH-1265-2N-SS



PB-345

Medium Duty Clamps-Square Base

Model No	PB-345
Weight	3.000 Kgs
Holding Capacity	X - 3.40 kN
Material	Steel
Finish	Zinc Plated
Supplied with Spindle	SW-1085-2N

