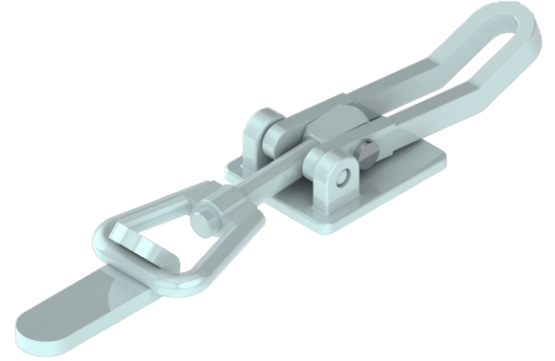
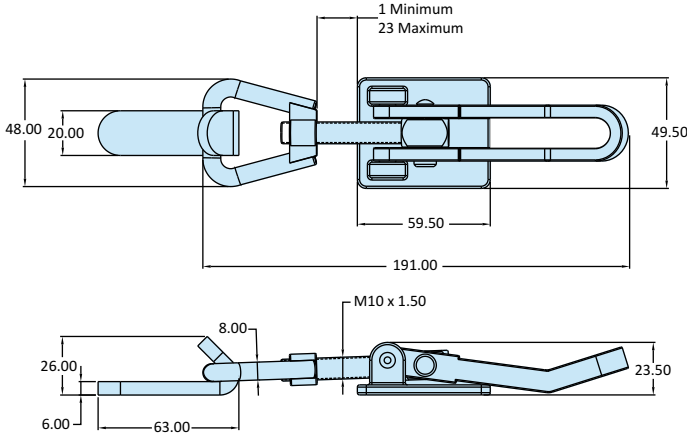


PAH-2816-HV
Medium Duty Pull Action Clamps

Model No	PAH-2816-HV
Weight	0.350 Kgs
Holding Capacity	X 2.90 kN
Material	Steel
Finish	Zinc Plated
Base Type	Flanged Base



PB-4727-SB
Heavy Duty Pull Back Clamps

Model No	PB-4727-SB
Weight	1.100 Kgs
Holding Capacity	X 7.40 kN
Material	Steel
Finish	Zinc Plated
Arm Type	Spindle Fixed
Base Type	Front Mounting Base
Supplied with Spindle	RT-12115-2N
Model No	PB-4727-SB-SS
Material	Stainless Steel-304
Supplied with Spindle	RT-12115-2N-SS

