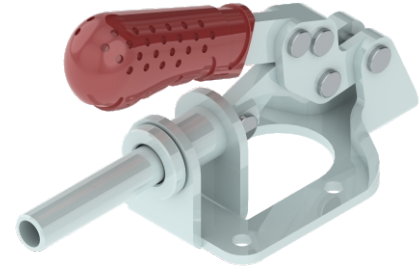
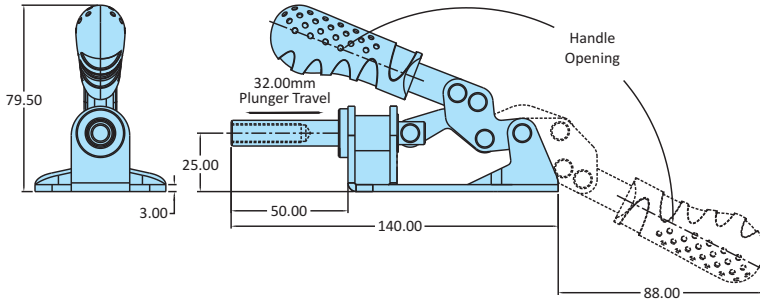
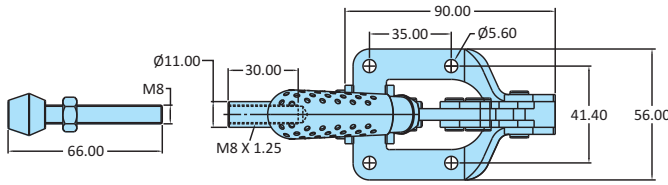


HTC-Series
Medium Duty Clamps

Model No	HTC-605-PS
Weight	0.280 Kgs
Handle Opening ($\pm 3^\circ$)	185°
Holding Capacity	X - 1.33 kN
Plunger Travel	32.00 mm
Material	Steel
Finish	Zinc Plated
Base Type	Flanged Base
Supplied with Spindle	RT-865-1N



HTC-Series
Medium Duty Clamps

Model No	HTC-615-PS
Weight	0.300 Kgs
Handle Opening ($\pm 3^\circ$)	127°
Holding Capacity	X - 1.33 kN
Plunger Travel	32.00 mm
Material	Steel
Finish	Zinc Plated
Base Type	Flanged Base
Supplied with Spindle	RT-865-1N

