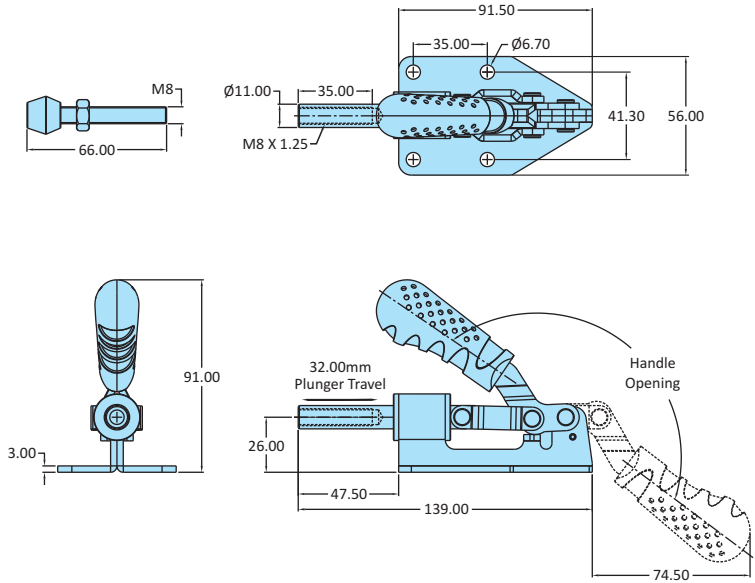
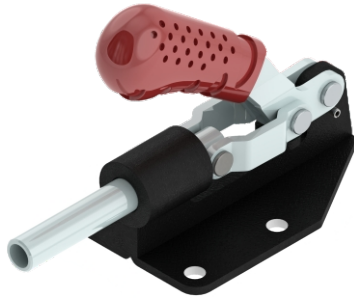


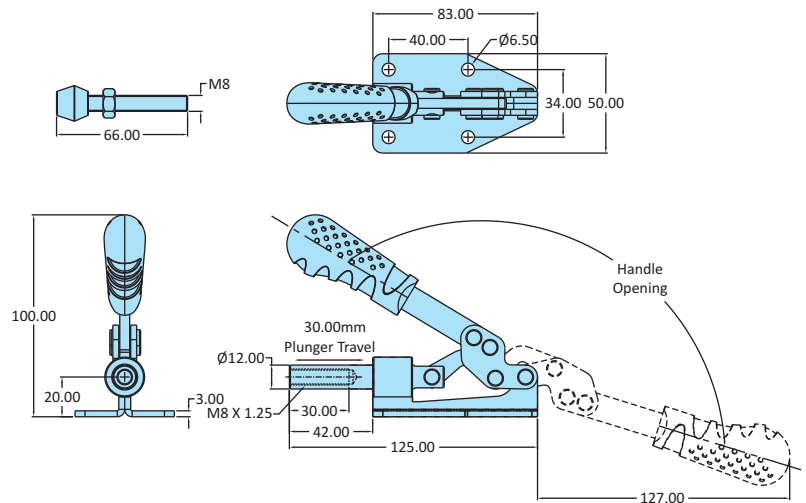
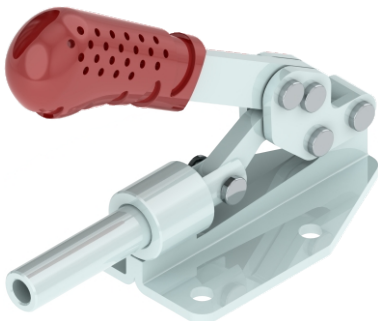
HTC-Series
Medium Duty Clamps

Model No	HTC-609-PS
Weight	0.380 Kgs
Handle Opening ($\pm 3^\circ$)	183°
Holding Capacity	X - 1.50 kN
Plunger Travel	32.00 mm
Material	Steel
Finish	Zinc Plated/Powder Coated
Base Type	Flanged Base
Supplied with Spindle	RT-865-1N



HTC-Series
Medium Duty Clamps

Model No	HTC-2030-PS
Weight	0.310 Kgs
Handle Opening ($\pm 3^\circ$)	163°
Holding Capacity	X - 1.33 kN
Plunger Travel	30.00 mm
Material	Steel
Finish	Zinc Plated
Base Type	Flanged Base
Supplied with Spindle	RT-865-1N



HTC-Series
Medium Duty Clamps

Model No	HTC-606
Weight	0.450 Kgs
Handle Opening ($\pm 3^\circ$)	109°
Holding Capacity	X - 2.00 kN
Plunger Travel	40.00 mm
Material	Steel
Finish	Zinc Plated
Base Type	Flanged Base
Supplied with Spindle	RT-865-1N

