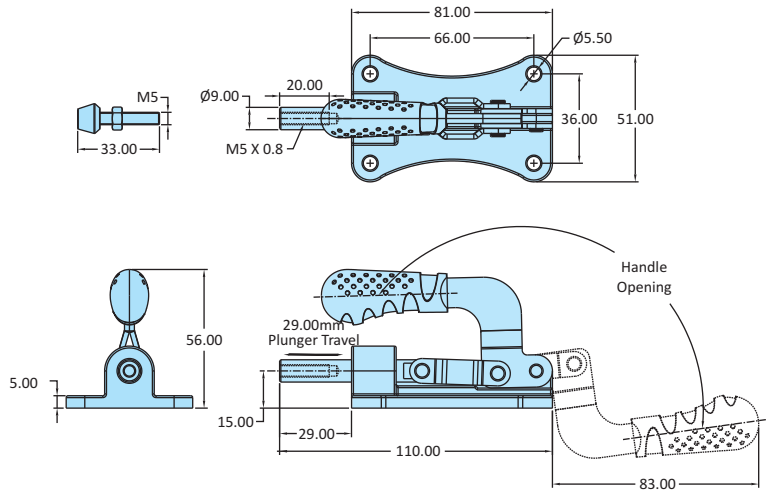
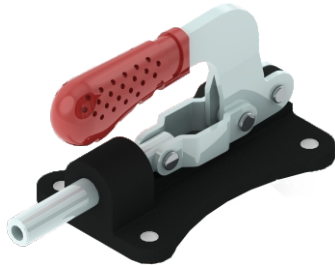


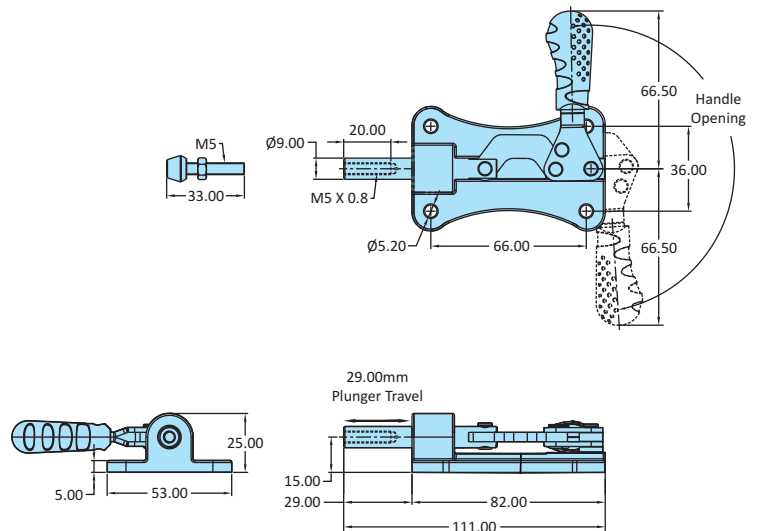
**HTC-Series**  
**Light Duty-Low Height**

Model No	HTC-1530-LH
Weight	0.290 Kgs
Handle Opening ( $\pm 3^\circ$ )	174°
Holding Capacity	X - 2.00 kN
Plunger Travel	29.00 mm
Material	Steel
Finish	Zinc Plated/Powder Coated
Base Type	Flanged Base
Supplied with Spindle	RT-533-1N



**HTC-Series**  
**Light Duty-Flat Handle**

Model No	HTC-3015-FH-L
Weight	0.260 Kgs
Handle Opening ( $\pm 3^\circ$ )	177°
Holding Capacity	X - 1.00 kN
Plunger Travel	29.00 mm
Material	Steel
Finish	Zinc Plated/Powder Coated
Base Type	Flanged Base
Supplied with Spindle	RT-533-1N



**HTC-Series**  
**Light Duty-Flat Handle**

Model No	HTC-3015-FH-R
Weight	0.260 Kgs
Handle Opening ( $\pm 3^\circ$ )	177°
Holding Capacity	X - 1.00 kN
Plunger Travel	29.00 mm
Material	Steel
Finish	Zinc Plated/Powder Coated
Base Type	Flanged Base
Supplied with Spindle	RT-533-1N

