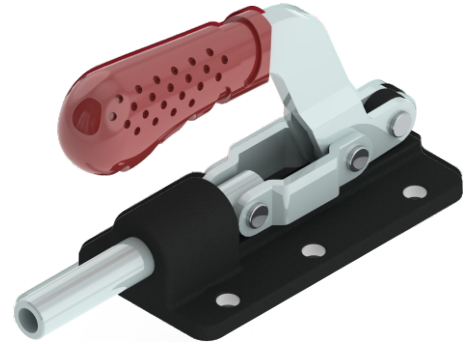
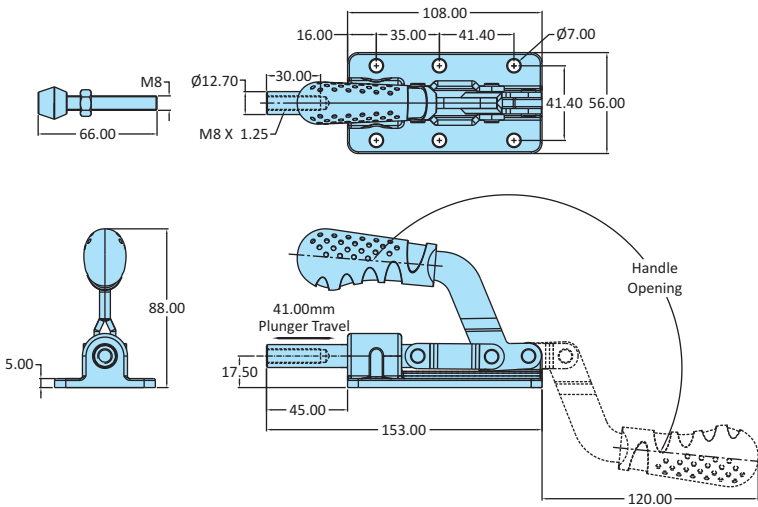


HTC-Series  
Medium Duty-Low Height

Model No	HTC-607-LH
Weight	0.740 Kgs
Handle Opening ( $\pm 3^\circ$ )	181°
Holding Capacity	X - 5.90 kN
Plunger Travel	41.00 mm
Material	Steel
Finish	Zinc Plated/Powder Coated
Base Type	Flanged Base
Supplied with Spindle	RT-865-1N



HTC-Series  
Medium Duty-Low Height

Model No	HTC-630-LH
Weight	0.980 Kgs
Handle Opening ( $\pm 3^\circ$ )	182°
Holding Capacity	X - 7.80 kN
Plunger Travel	51.00 mm
Material	Steel
Finish	Zinc Plated/Powder Coated
Base Type	Flanged Base
Supplied with Spindle	RT-1085-1N

