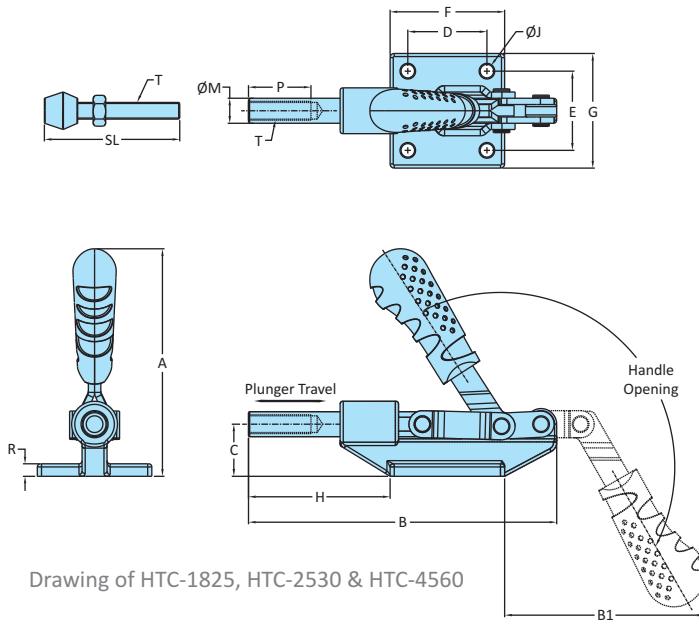


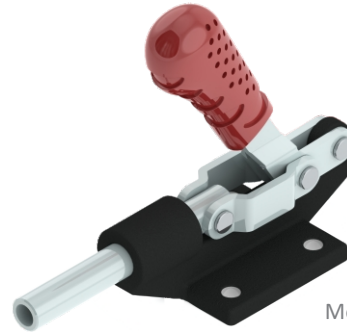
HTC-Series
Medium/Heavy Duty-Package Size, Flanged Base



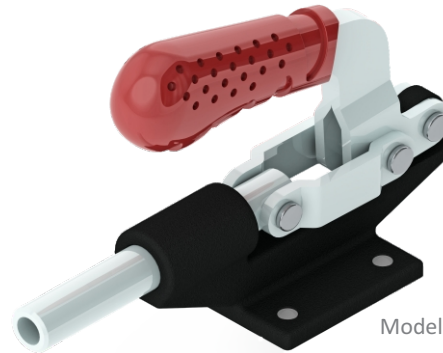
Drawing of HTC-1825, HTC-2530 & HTC-4560



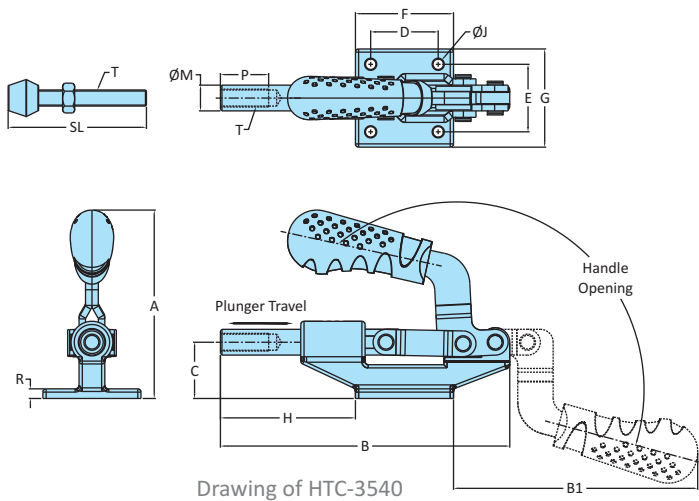
Model No. HTC-1825-PS



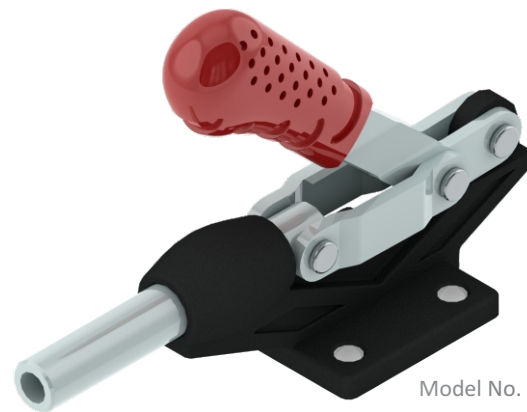
Model No. HTC-2530-PS



Model No. HTC-3540-PS



Drawing of HTC-3540



Model No. HTC-4560-PS

Model No.	Material	Finish	Base Type	Spindle Assembly	Plunger Travel	Holding Capacity
HTC-1825-PS	Steel	Zinc Plated/Powder Coated	Flanged Base	RT-533-1N	25	1.00 kN
HTC-2530-PS	Steel	Zinc Plated/Powder Coated	Flanged Base	RT-865-1N	34	2.90 kN
HTC-3540-PS	Steel	Zinc Plated/Powder Coated	Flanged Base	RT-1085-1N	40	3.90 kN
HTC-4560-PS	Steel	Zinc Plated/Powder Coated	Flanged Base	RT-12115-1N	60	6.90 kN

Model No.	Weight Kgs	Handle Opening	Dimensions														
			A	B	B1	C	D	E	F	G	H	J	M	P	R	T	SL
HTC-1825-PS	0.200	184°	72	105	65	18	28	28	40	40	45	5.5	9	20	5	M5x0.8	33
HTC-2530-PS	0.510	183°	109	148	96	25	38	38	55	55	68	6.5	12	30	6	M8x1.25	66
HTC-3540-PS	1.050	183°	117	180	152	35	42	42	61	61	84	6.5	16	30	6	M10x1.5	86
HTC-4560-PS	1.800	182°	154.5	233	171.5	45	50	50	75	75	115	10.5	20	30	9	M12x1.75	116