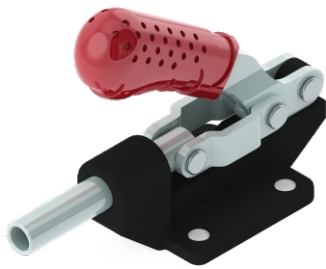
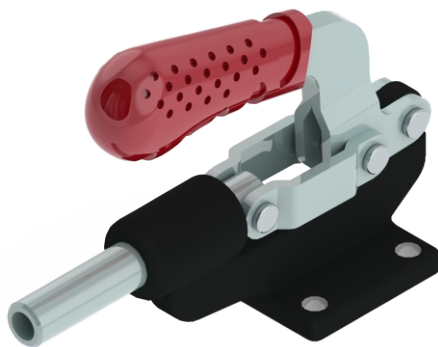


HTC-Series

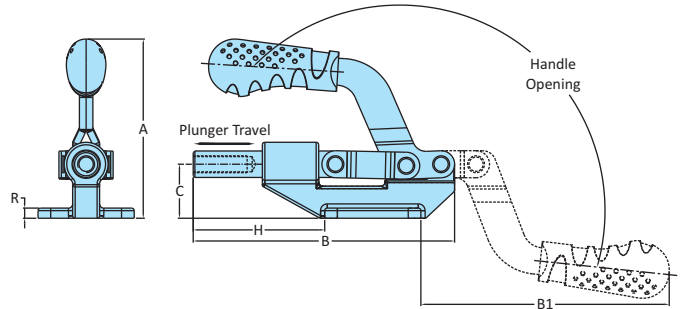
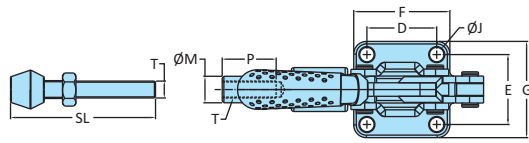
Medium Duty-Package Size, Flanged Base



Model No. HTC-603-PS



Model No. HTC-610-PS



Model No.	Material	Finish	Base Type	Spindle Assembly	Plunger Travel	Holding Capacity
HTC-603-PS	Steel	Zinc Plated/Powder Coated	Flanged Base	RT-865-1N	32	2.90 kN
HTC-608-PS	Steel	Zinc Plated/Powder Coated	Flanged Base	RT-1085-1N	41	3.90 kN
HTC-610-PS	Steel	Zinc Plated/Powder Coated	Flanged Base	RT-1085-1N	41	3.90 kN

Model No.	Weight Kgs	Handle Opening	Dimensions														
			A	B	B1	C	D	E	F	G	H	J	M	P	R	T	SL
HTC-603-PS	0.420	180°	87	122	102	24.5	36.5	33	52	48	52	6.5	11	30	5	M8x1.25	66
HTC-608-PS	0.880	178°	106	155	147	32	41.4	41.4	57	57	78	8.5	15.8	32	6	M10x1.5	86
HTC-610-PS	1.050	182°	122	174	136	43	41.4	41.4	57	57	101	8.5	15.8	32	8	M10x1.5	86

HTC-Series

Heavy Duty-Package Size, Flanged Base

Model No	HTC-650-PS
Weight	2.500 Kgs
Handle Opening (± 3°)	163°
Holding Capacity	X - 34.30 kN
Plunger Travel	75.00 mm
Material	Steel
Finish	Black ED* Coated
Base Type	Flanged Base
Supplied with Spindle	RT-16170-1N

