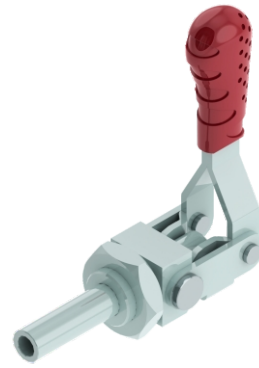
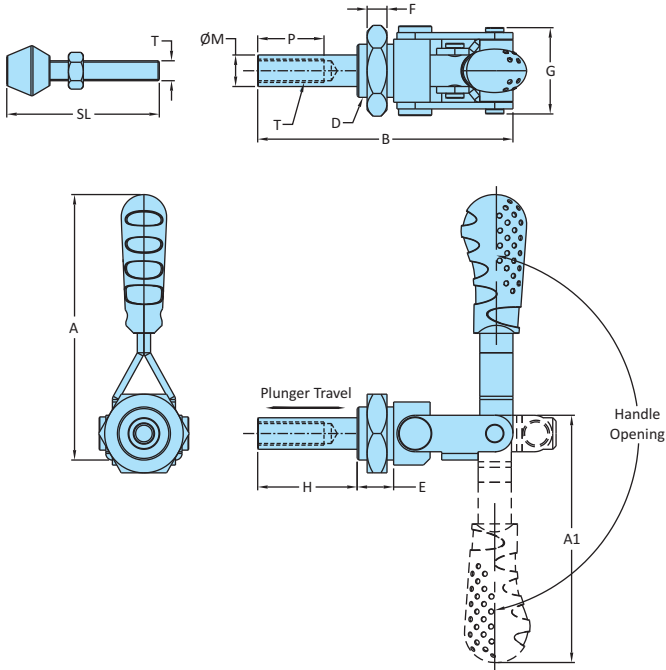
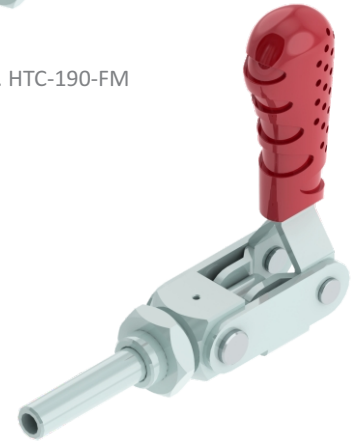


HTC-Series Clamps  
 Front Mounting


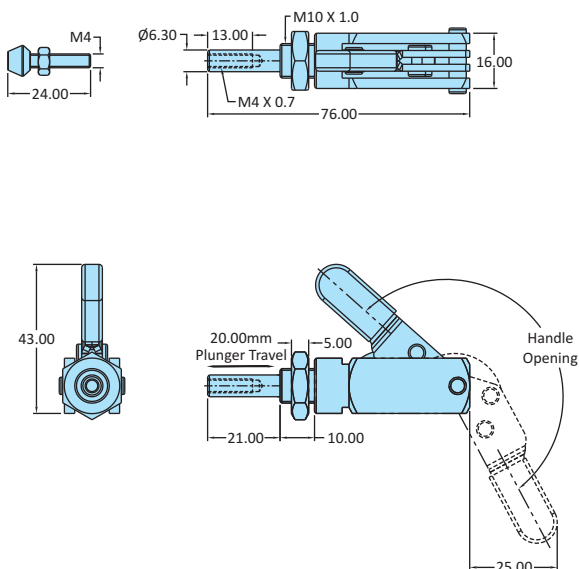
Model No. HTC-190-FM



Model No. HTC-600-FM

Model No.	Material	Finish	Base Type	Spindle Assembly	Plunger Travel	Holding Capacity
HTC-190-FM	Steel	Zinc Plated	Front Mounting	RT-645-1N	24	0.50 kN
HTC-350-FM	Steel	Zinc Plated	Front Mounting	RT-865-1N	37	1.00 kN
HTC-500-FM	Steel	Zinc Plated	Front Mounting	RT-865-1N	39	1.50 kN
HTC-600-FM	Steel	Zinc Plated	Front Mounting	RT-1085-1N	60	3.40 kN

Model No.	Weight Kgs	Handle Opening	Dimensions											
			A	A1	B	D	E	F	G	H	M	P	T	SL
HTC-190-FM	0.130	180°	80	74.5	77	M16x2.0	11	6	26	30	9.5	25	M6x1.0	46
HTC-350-FM	0.290	180°	103	99.5	107.5	M20x1.5	15	6	31	42	12	30	M8x1.25	66
HTC-500-FM	0.510	180°	124	120	140	M20x1.5	18	9	35	52	12	30	M8x1.25	66
HTC-600-FM	0.910	180°	154	149.5	172	M24x2.0	24	10	44	62	16	30	M10x1.5	86

 HTC-Series Clamps  
 Light Duty-Front Mounting


Model No	HTC-200-FM
Weight	0.070 Kgs
Handle Opening ( $\pm 3^\circ$ )	200°
Holding Capacity	X - 0.80 kN
Plunger Travel	20.00 mm
Material	Steel
Finish	Zinc Plated
Base Type	Front Mounting
Supplied with Spindle	RT-420-1N
Model No	HTC-200-FM-SS
Material	Stainless Steel-304
Supplied with Spindle	RT-420-1N-SS

