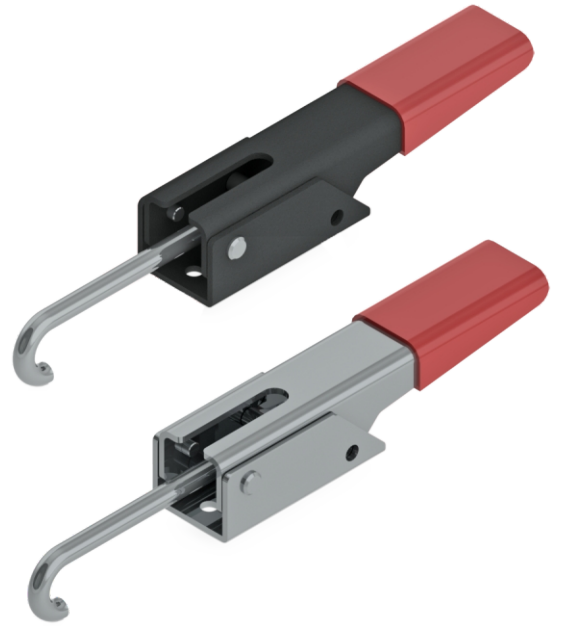
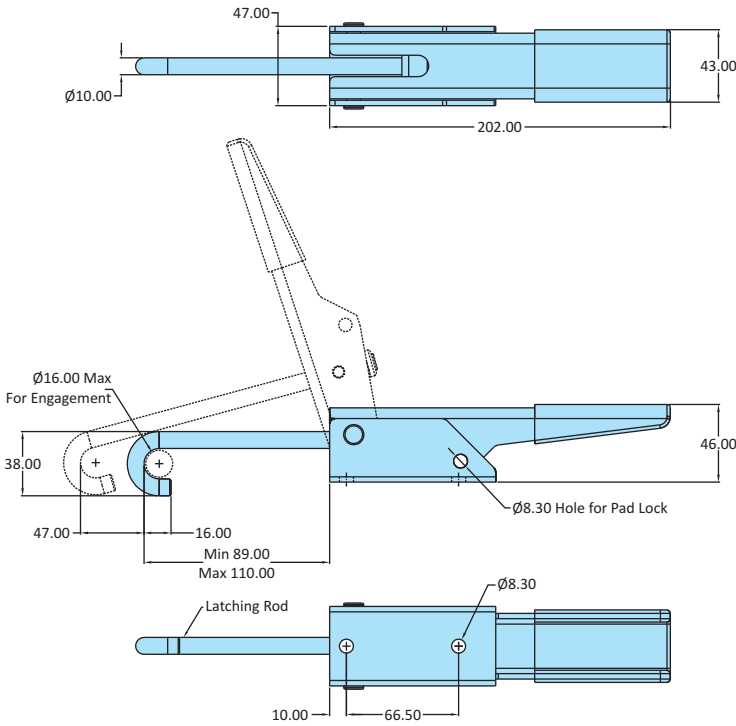


Pull Action Clamps  
PA Series

Model No	PA-910318
Weight	0.850 Kgs
Holding Capacity	X - 4.90 kN
Material	Steel
Finish	Zinc Plated
Base Type	Flanged Base
Drawing Movement	47
J Rod Part Number	M1019568J
Model No	PA-910318-SS
Material	Stainless Steel-304
J Rod Part Number	M1019568J-SS



Pull Action Clamps  
PAH Series

Model No	PAH-1702041
Weight	0.350 Kgs
Holding Capacity	X - 3.40 kN
Material	Steel
Finish	Zinc Plated
Base Type	Flanged Base
Model No	PAH-1702041-SS
Material	Stainless Steel-304

