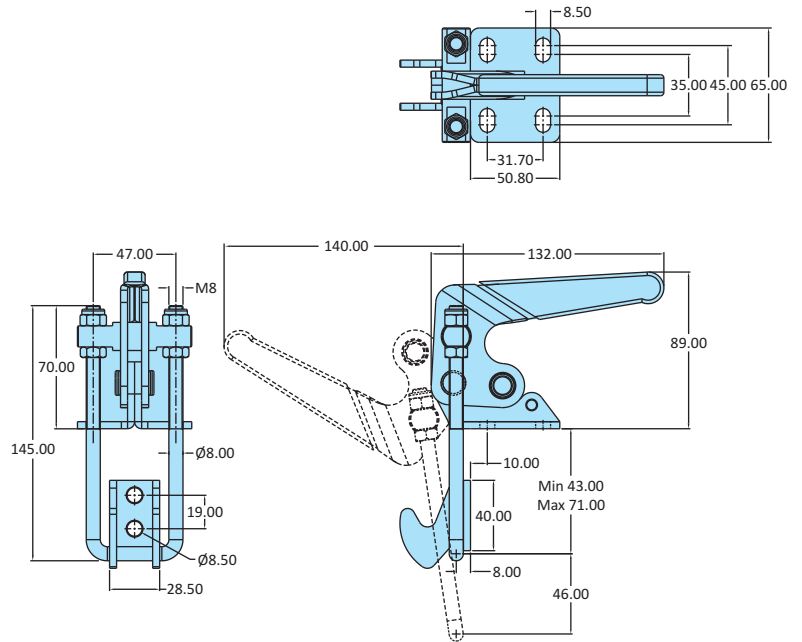


Pull Action Clamps

PAV Series

Model No	PAV-1065
Weight	0.730 Kgs
Holding Capacity	X - 9.80 kN
Material	Steel
Finish	Zinc Plated
Base Type	Flanged Base
Drawing Movement	46
U Bolt Part Number	M814570
Front Hook Part Number	FH-1065



Pull Action Clamps

PAH Series

Model No	PAH-5601
Weight	0.720 Kgs
Holding Capacity	X - 9.80 kN
Material	Steel
Finish	Zinc Plated
Base Type	Flanged Base
Drawing Movement	57
U Bolt Part Number	M814570
Front Hook Part Number	FH-1065

