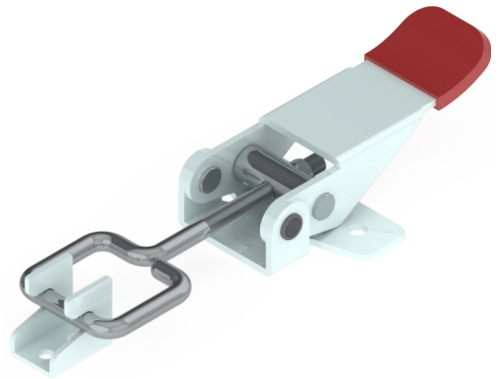
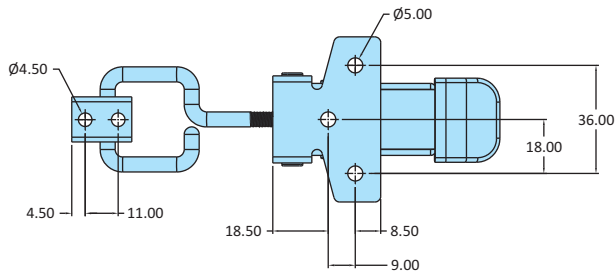
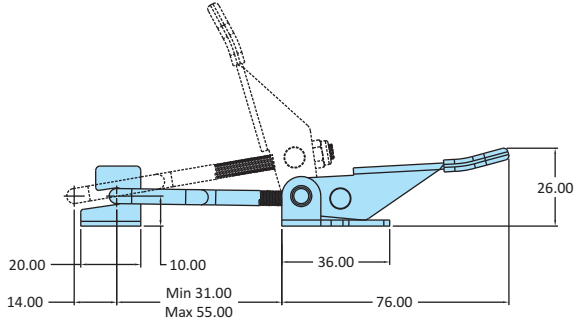
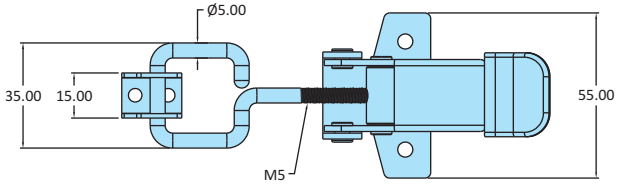
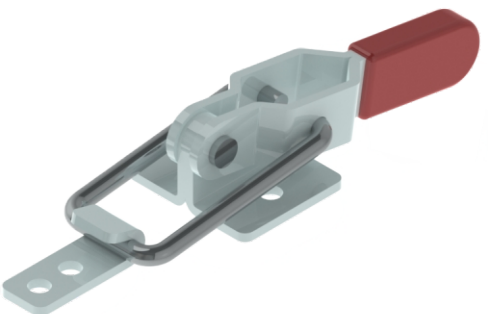
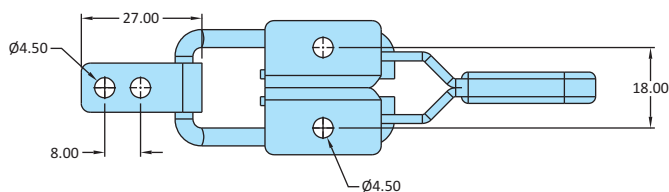
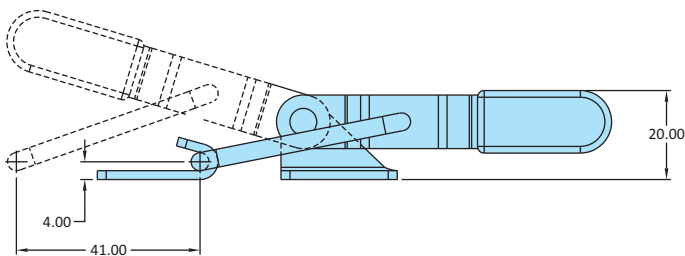
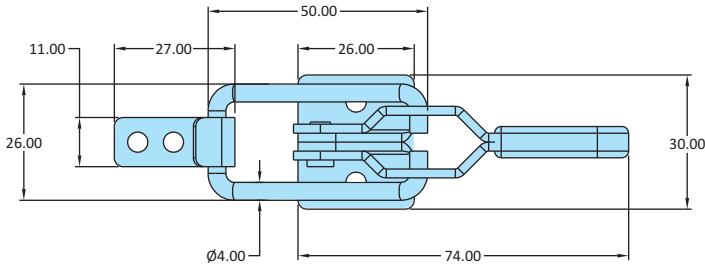


Pull Action Clamps
PAH Series



Model No	PAH-2801
Weight	0.110 Kgs
Holding Capacity	X - 0.50 kN
Material	Steel
Finish	Zinc Plated
Base Type	Flanged Base
Drawing Movement	14
Front Hook Part Number	FH-2801

Pull Action Clamps
PA Series



Model No	PA-325
Weight	0.060 Kgs
Holding Capacity	X - 0.50 kN
Material	Steel
Finish	Zinc Plated
Base Type	Flanged Base
Drawing Movement	41
Front Hook Part Number	FH-325
Model No	PA-325-SS
Material	Stainless Steel-304
Front Hook Part Number	FH-325-SS