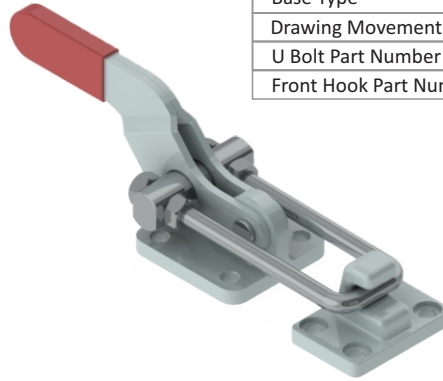
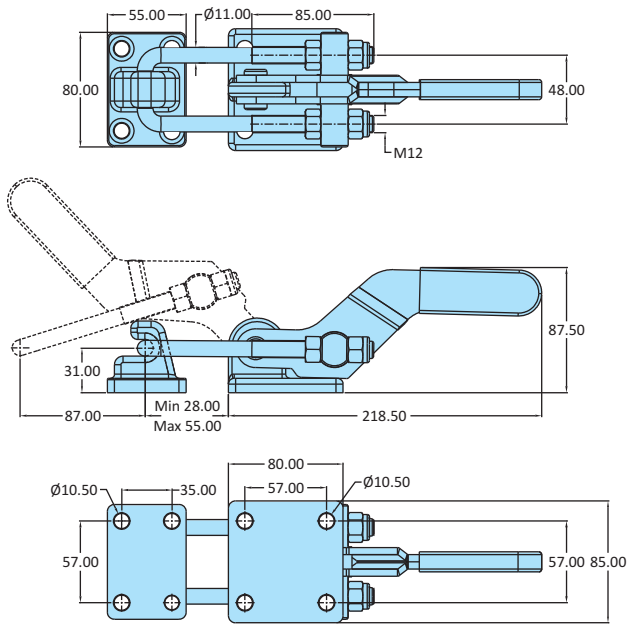
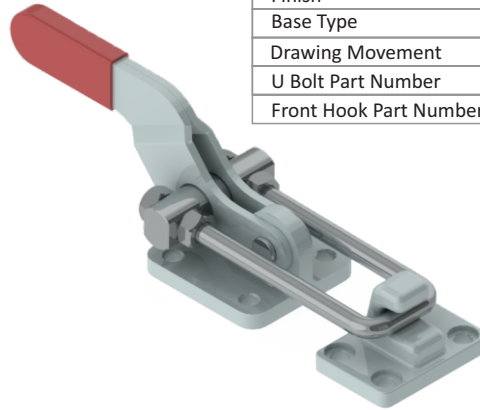
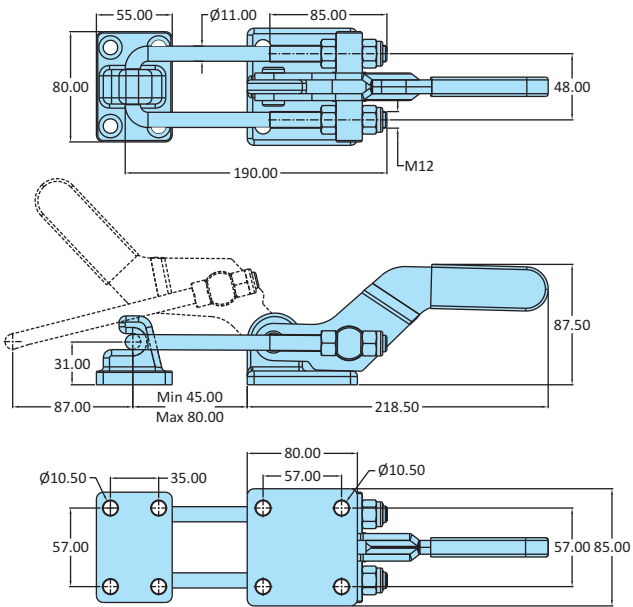


Pull Action Clamps
PAH Series



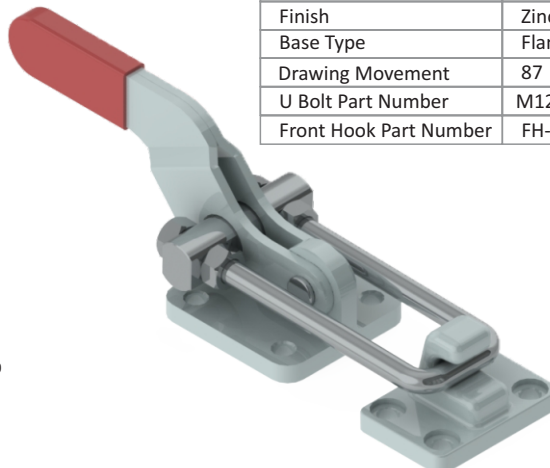
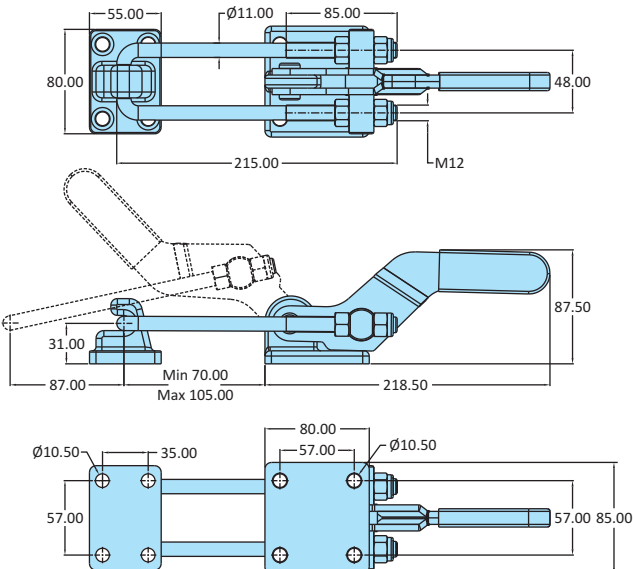
Model No	PAH-3062
Weight	2.210 Kgs
Holding Capacity	X - 29.40 kN
Material	Steel
Finish	Zinc Plated
Base Type	Flanged Base
Drawing Movement	87
U Bolt Part Number	M1216585
Front Hook Part Number	FH-2603

Pull Action Clamps
PAH Series



Model No	PAH-3062-M25
Weight	2.250 Kgs
Holding Capacity	X - 29.40 kN
Material	Steel
Finish	Zinc Plated
Base Type	Flanged Base
Drawing Movement	87
U Bolt Part Number	M1219085
Front Hook Part Number	FH-2603

Pull Action Clamps
PAH Series



Model No	PAH-3062-M50
Weight	2.280 Kgs
Holding Capacity	X - 29.40 kN
Material	Steel
Finish	Zinc Plated
Base Type	Flanged Base
Drawing Movement	87
U Bolt Part Number	M1221585
Front Hook Part Number	FH-2603