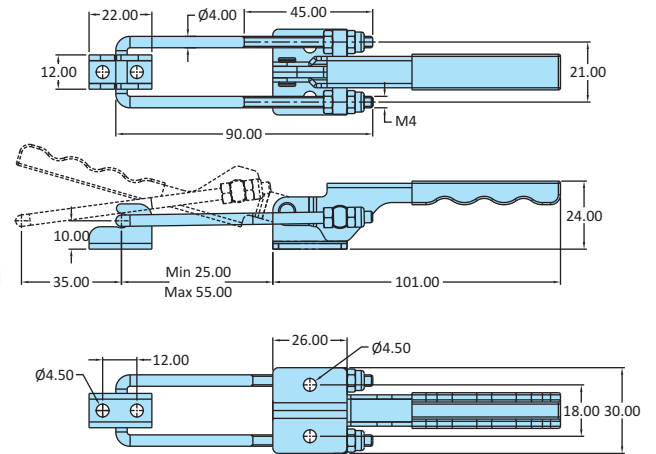
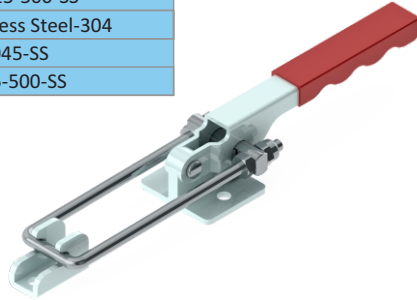


Pull Action Clamps

PAH Series

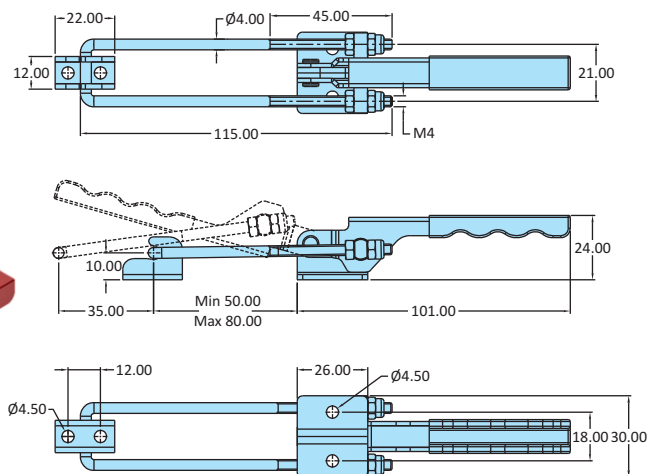
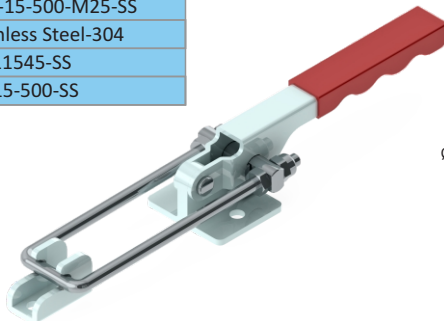
Model No	PAH-15-500
Weight	0.100 Kgs
Holding Capacity	X - 1.00 kN
Material	Steel
Finish	Zinc Plated
Base Type	Flanged Base
Drawing Movement	35
U Bolt Part Number	M49045
Front Hook Part Number	FH-15-500
Model No	PAH-15-500-SS
Material	Stainless Steel-304
U Bolt Part Number	M49045-SS
Front Hook Part Number	FH-15-500-SS



Pull Action Clamps

PAH Series

Model No	PAH-15-500-M25
Weight	0.110 Kgs
Holding Capacity	X - 1.00 kN
Material	Steel
Finish	Zinc Plated
Base Type	Flanged Base
Drawing Movement	35
U Bolt Part Number	M411545
Front Hook Part Number	FH-15-500
Model No	PAH-15-500-M25-SS
Material	Stainless Steel-304
U Bolt Part Number	M411545-SS
Front Hook Part Number	FH-15-500-SS



Pull Action Clamps

PAH Series

Model No	PAH-15-500-M50
Weight	0.120 Kgs
Holding Capacity	X - 1.00 kN
Material	Steel
Finish	Zinc Plated
Base Type	Flanged Base
Drawing Movement	35
U Bolt Part Number	M414045
Front Hook Part Number	FH-15-500
Model No	PAH-15-500-M50-SS
Material	Stainless Steel-304
U Bolt Part Number	M414045-SS
Front Hook Part Number	FH-15-500-SS

