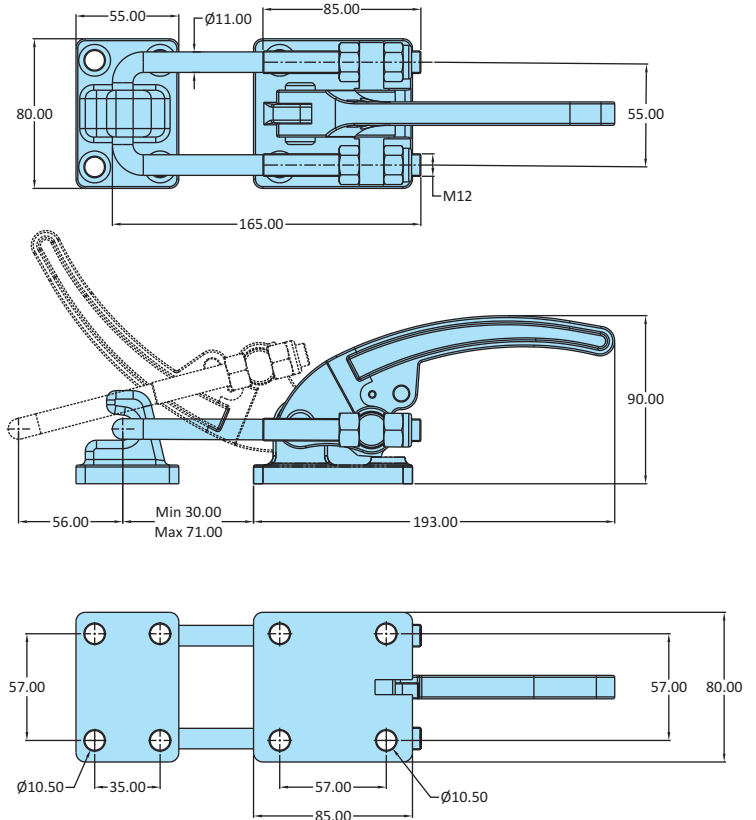


Pull Action Clamps

PAH Series

Model No	PAH-385
Weight	2.000 Kgs
Holding Capacity	X - 34.30 kN
Material	Steel
Finish	Black ED* Coating
Base Type	Flanged Base
Drawing Movement	56
U Bolt Part Number	M1216585-55
Front Hook Part Number	FH-385



Pull Action Clamps

PAH Series

Model No	PAH-385-M50
Weight	2.080 Kgs
Holding Capacity	X - 34.30 kN
Material	Steel
Finish	Black ED* Coating
Base Type	Flanged Base
Drawing Movement	56
U Bolt Part Number	M1221585-55
Front Hook Part Number	FH-385

