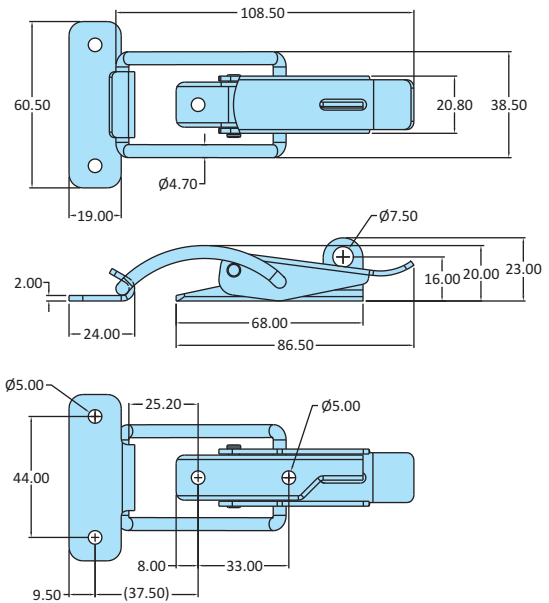


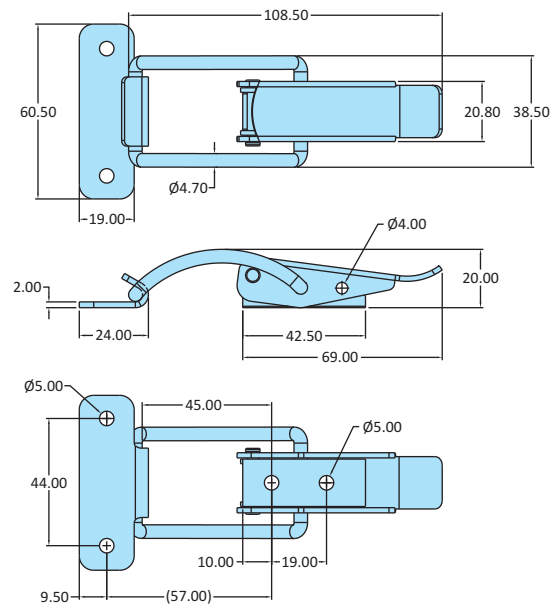
Medium Duty  
Non-Adjustable Latch Padlockable

Model No	PAH-30-670
Weight	0.110 Kgs
Holding Capacity	X - 4.40 kN
Material	Steel
Finish	Zinc Plated
Supplied with Hook	FH-01-502
Model No	PAH-30-670-SS
Material	Stainless Steel-304
Supplied with Hook	FH-01-502-SS



Medium Duty  
Non-Adjustable Latch

Model No	PAH-30-625
Weight	0.100 Kgs
Holding Capacity	X - 4.40 kN
Material	Steel
Finish	Zinc Plated
Supplied with Hook	FH-01-502
Model No	PAH-30-625-SS
Material	Stainless Steel-304
Supplied with Hook	FH-01-502-SS



Medium Duty  
Non-Adjustable Latch Padlockable

Model No	PAH-30-675
Weight	0.100 Kgs
Holding Capacity	X - 4.40 kN
Material	Steel
Finish	Zinc Plated
Supplied with Hook	FH-01-502
Model No	PAH-30-675-SS
Material	Stainless Steel-304
Supplied with Hook	FH-01-502-SS

