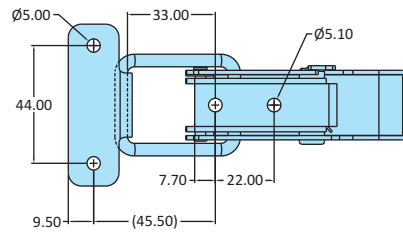
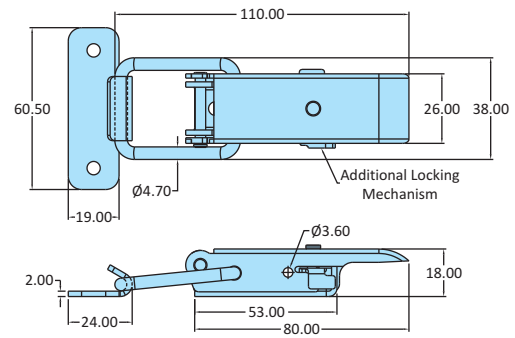


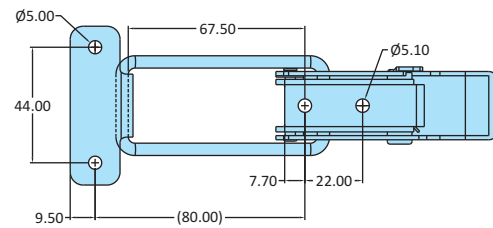
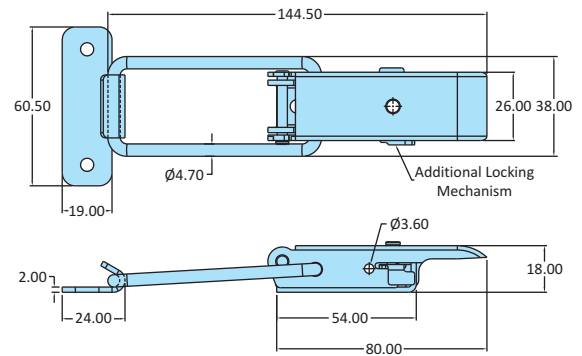
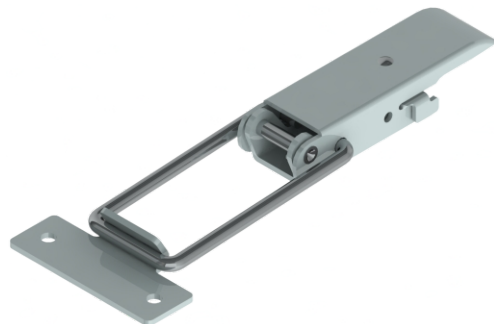
**Non-Adjustable Latch Medium Duty with Additional Locking Mechanism**

Model No	PAH-38-1260-TRIG
Weight	0.130 Kgs
Holding Capacity	X - 4.40 kN
Material	Steel
Finish	Zinc Plated
Supplied with Hook	FH-01-502
Model No	PAH-38-1260-TRIG-SS
Material	Stainless Steel-304
Supplied with Hook	FH-01-502-SS



**Non-Adjustable Latch Medium Duty with Additional Locking Mechanism**

Model No	PAH-38-5880-TRIG
Weight	0.140 Kgs
Holding Capacity	X - 4.40 kN
Material	Steel
Finish	Zinc Plated
Supplied with Hook	FH-01-502
Model No	PAH-38-5880-SS
Material	Stainless Steel-304
Supplied with Hook	FH-01-502-SS



**Non-Adjustable Latch Medium Duty with Additional Locking Mechanism**

Model No	PAH-38-2556-TRIG
Weight	0.140 Kgs
Holding Capacity	X - 4.40 kN
Material	Steel
Finish	Zinc Plated
Supplied with Hook	FH-01-502
Model No	PAH-38-2556-TRIG-SS
Material	Stainless Steel-304
Supplied with Hook	FH-01-502-SS

