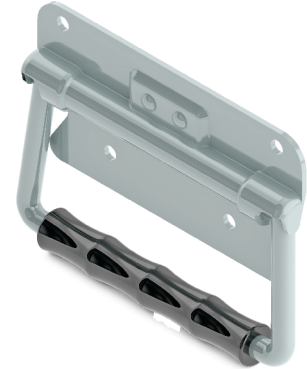


Spring Loaded Foldable Handle

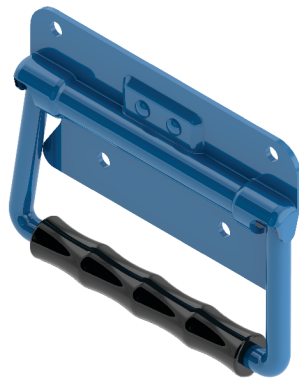
Model No	HAN-12060-SS
Weight	0.280 Kgs
Strength/UTS	X - 0.100 kN
Material	Stainless Steel-304
Finish	Electro Polishing



Model No	HAN-12060
Weight	0.280 Kgs
Strength/UTS	X - 0.100 kN
Material	Steel
Finish	Zinc Plated



Model No	HAN-12060-BPC
Weight	0.280 Kgs
Strength/UTS	X - 0.100 kN
Material	Steel
Finish	Sky Blue Powder Coating



Model No	HAN-12060-BED
Weight	0.280 Kgs
Strength/UTS	X - 0.100 kN
Material	Steel
Finish	Black ED* Coating

